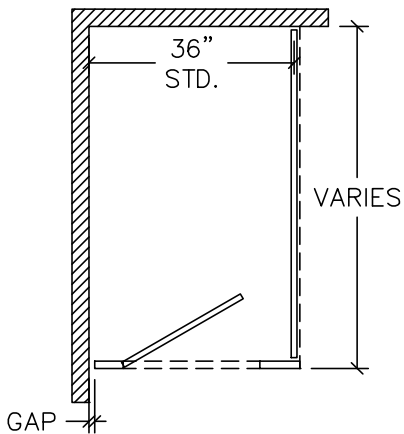
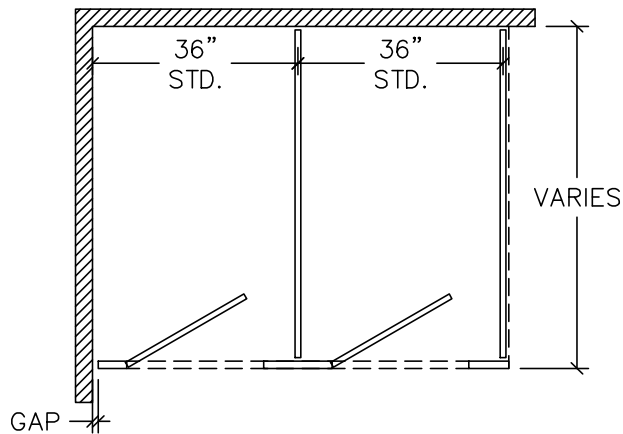


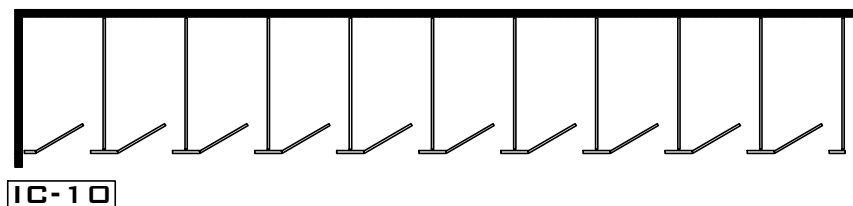
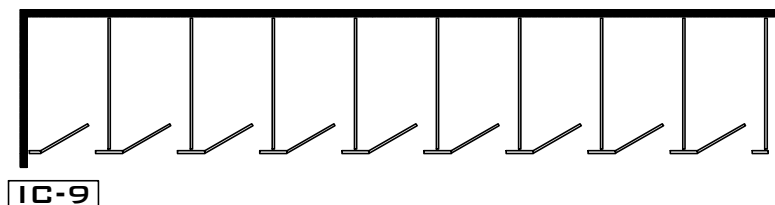
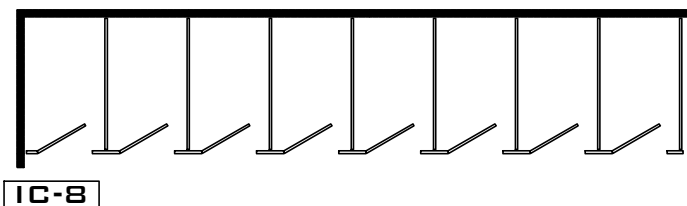
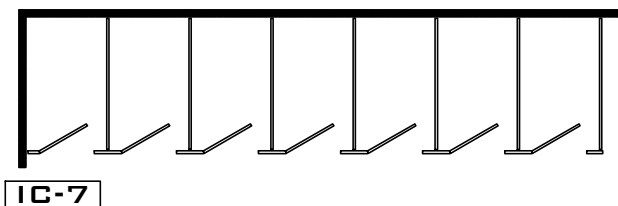
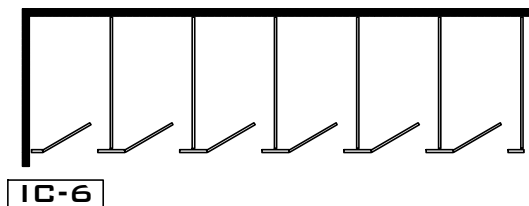
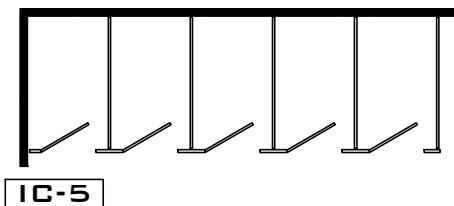
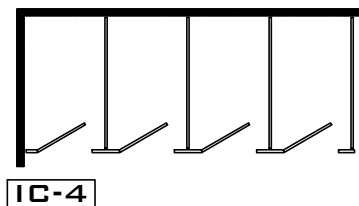
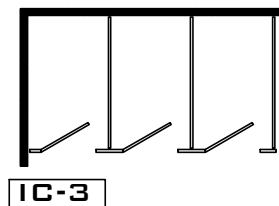
POWDER COATED STEEL
TYPICAL IN CORNER
LAYOUTS
2.0



IC - 1
STANDARD
CONFIGURATION



IC - 2
STANDARD
CONFIGURATION



REV 12/13