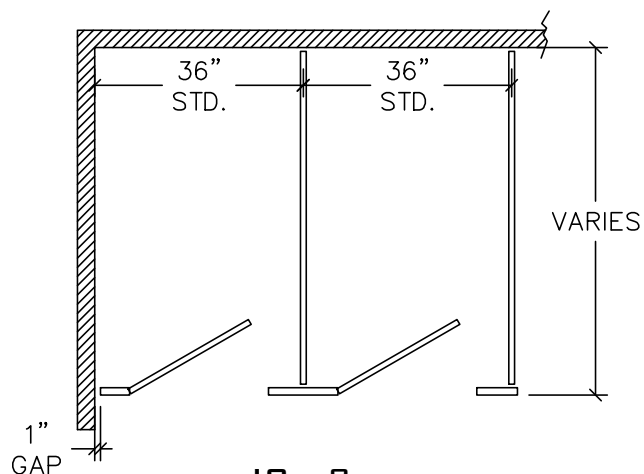
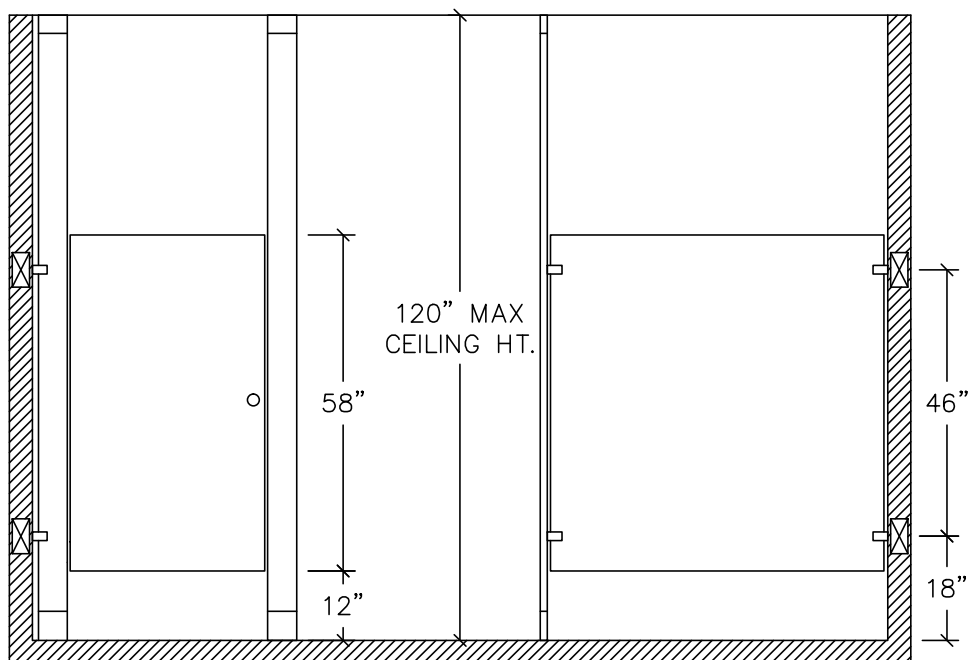
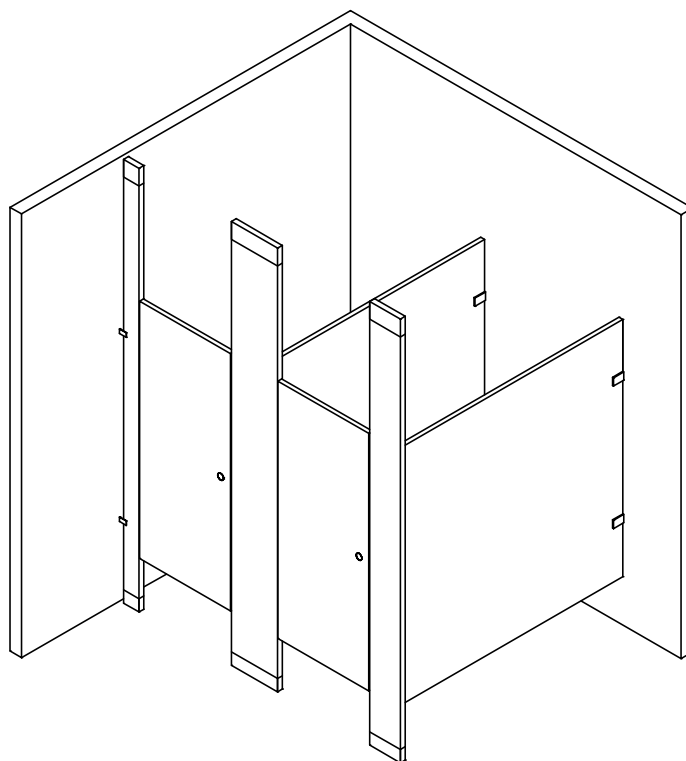


POWDER COATED STEEL
FLOOR-TO-CEILING ANCHORED
2.13



IC - 2
STANDARD
CONFIGURATION



FRONT & SIDE ELEVATION

 BLOCKING IN WALL BY OTHERS

REV 12/13