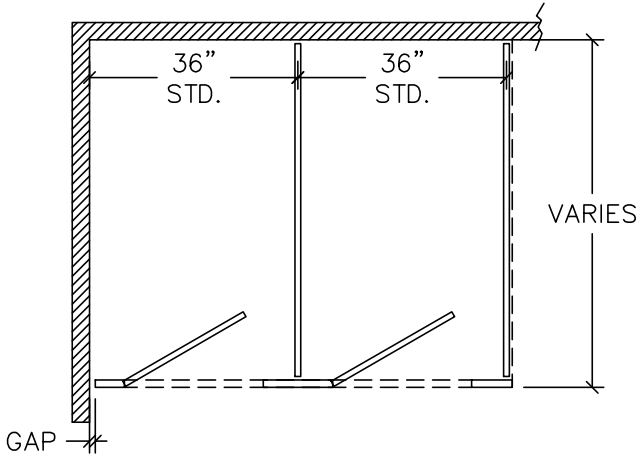
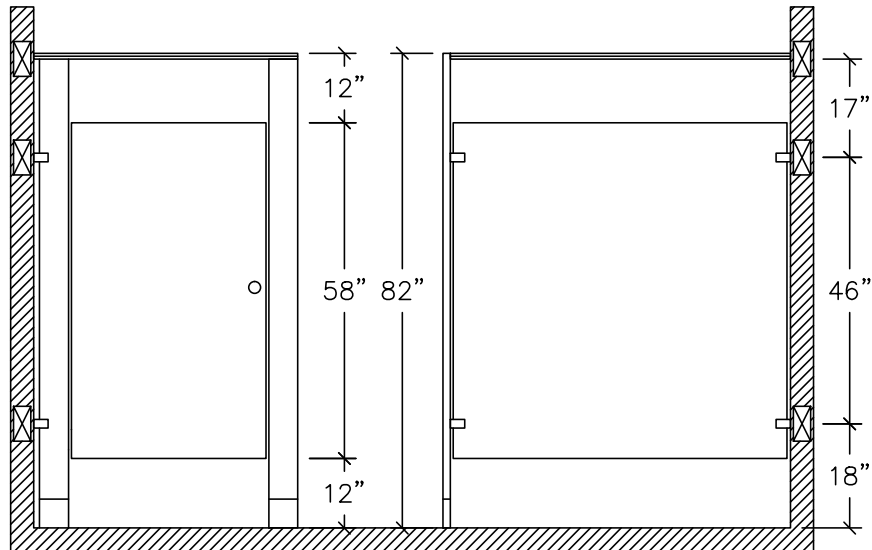
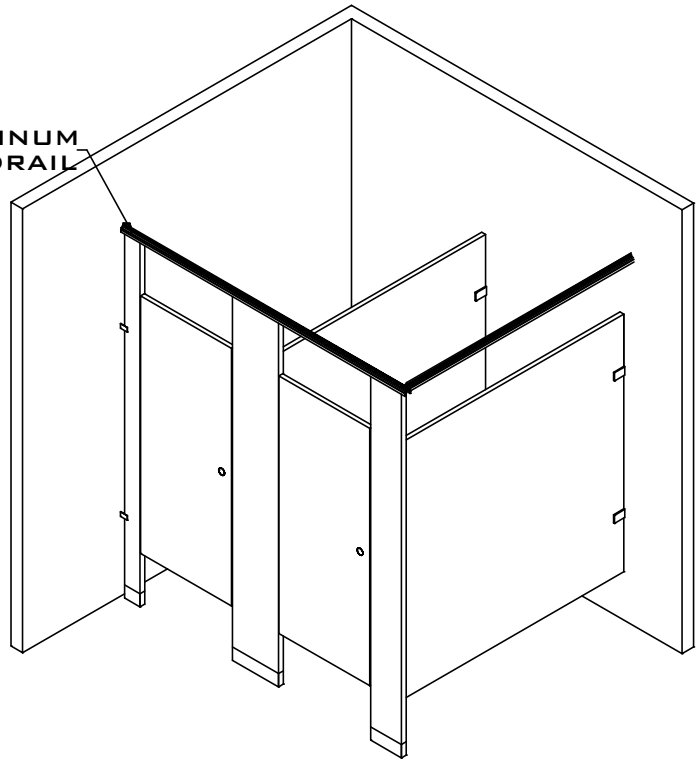


POWDER COATED STEEL
FLOOR ANCHORED /
OVERHEAD BRACED
2.4



IC - 2
STANDARD
CONFIGURATION

ALUMINUM
HEADRAIL



FRONT & SIDE ELEVATION

⊠ BLOCKING IN WALL BY OTHERS

REV 12/13