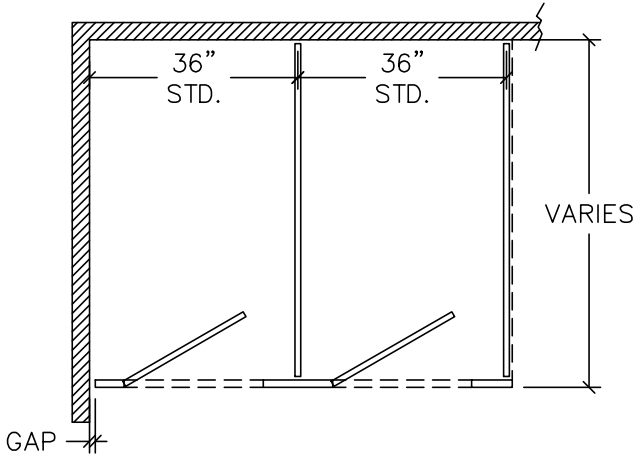
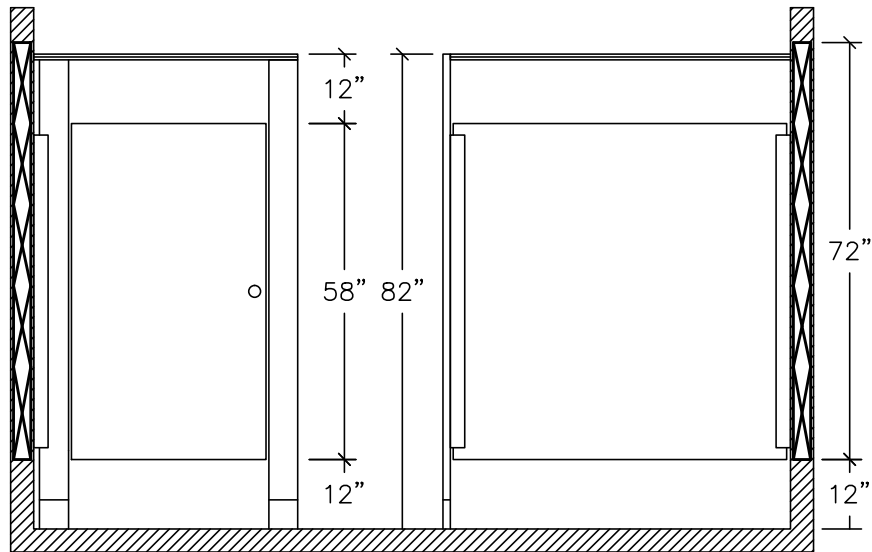
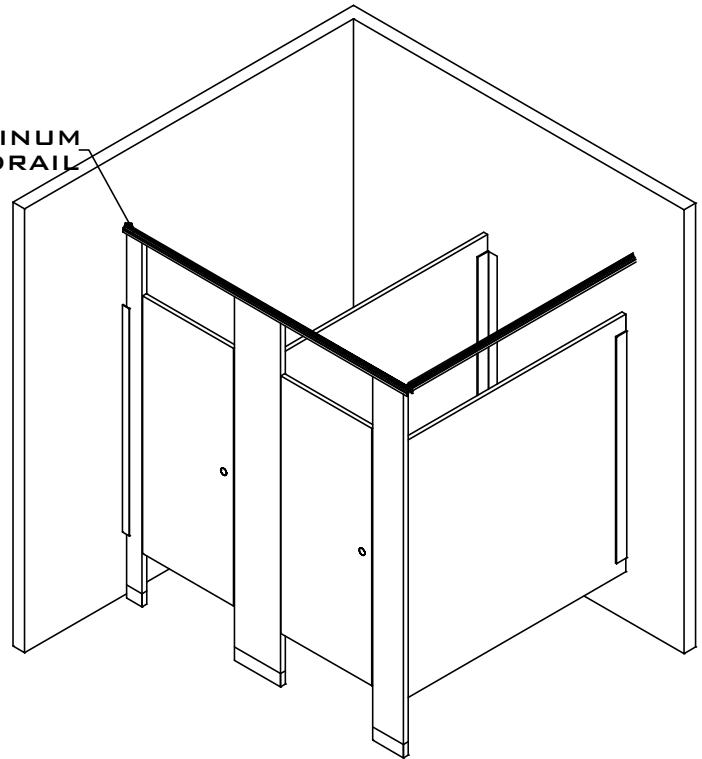


POWDER COATED STEEL  
FLOOR ANCHORED /  
OVERHEAD BRACED  
2.4A



IC - 2  
STANDARD  
CONFIGURATION

ALUMINUM  
HEADRAIL



FRONT & SIDE ELEVATION

⊠ BLOCKING IN WALL BY OTHERS

REV 12/13