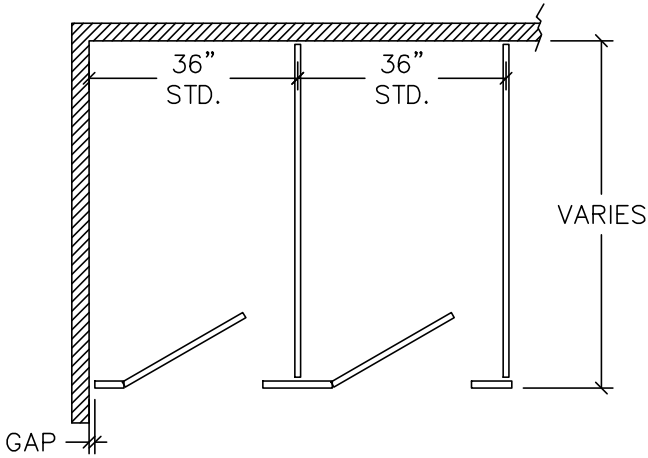
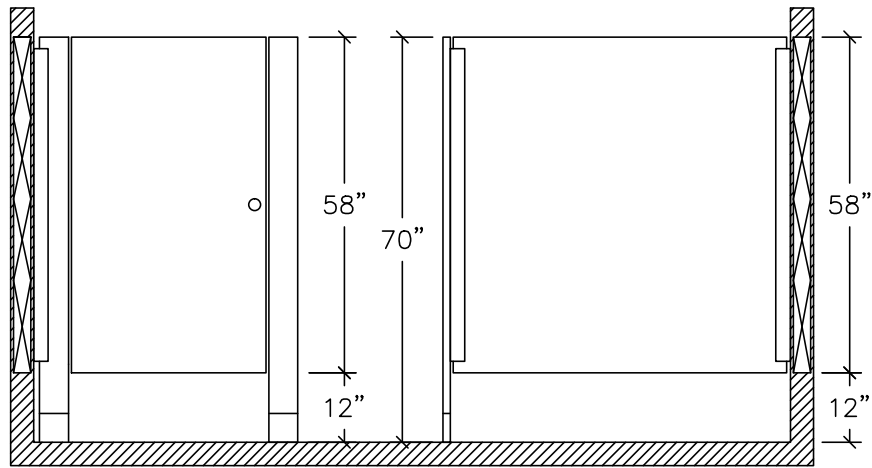
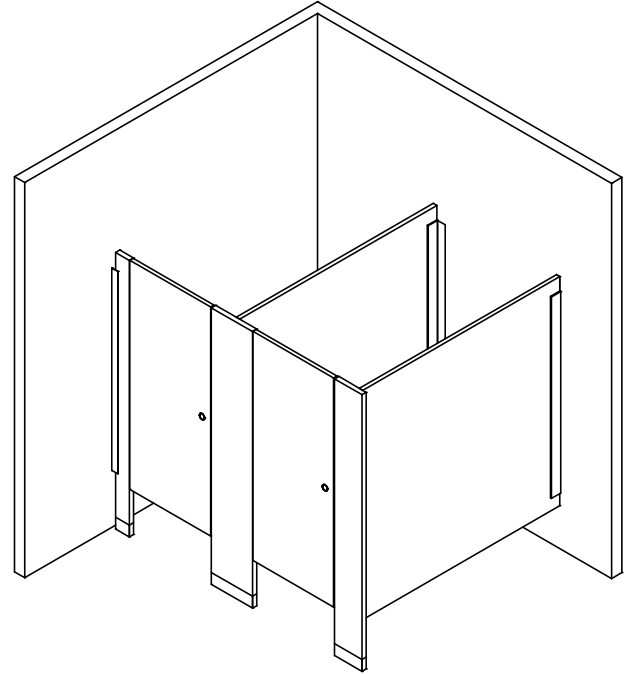


POWDER COATED STEEL  
FLOOR ANCHORED  
2.7A



IC - 2  
STANDARD  
CONFIGURATION



FRONT & SIDE ELEVATION

 BLOCKING IN WALL BY OTHERS

REV 12/13