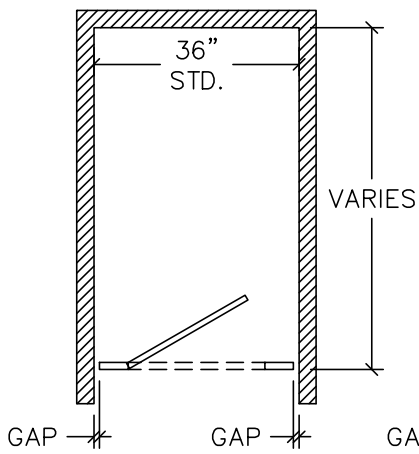
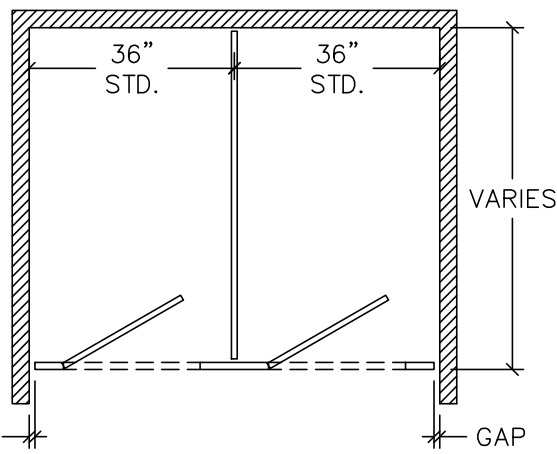


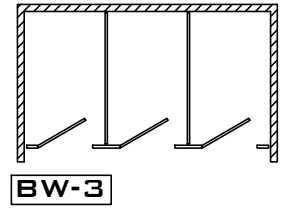
STAINLESS STEEL
TYPICAL BETWEEN WALL
LAYOUTS
3.1



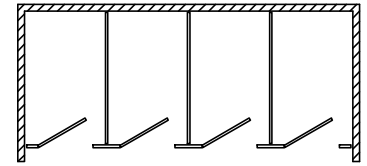
BW - 1
STANDARD
CONFIGURATION



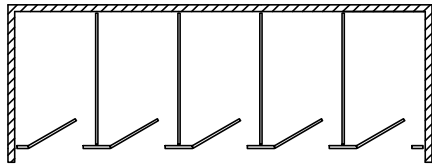
BW - 2
STANDARD
CONFIGURATION



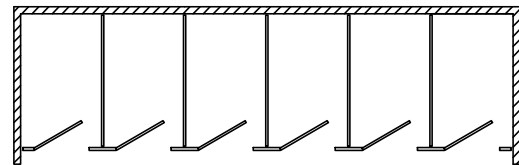
BW-3



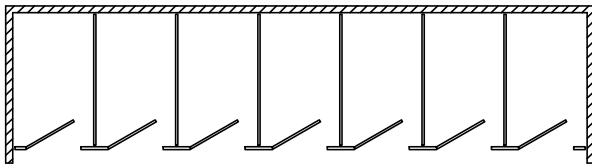
BW-4



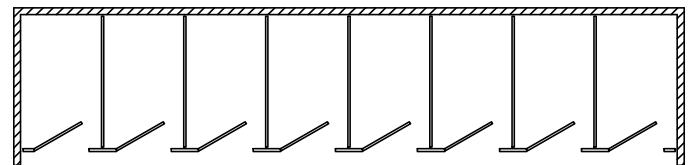
BW-5



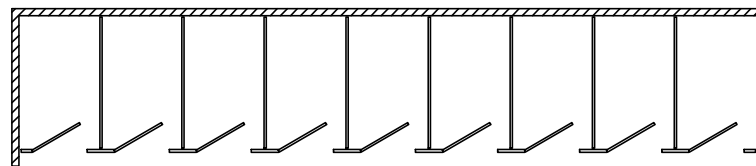
BW-6



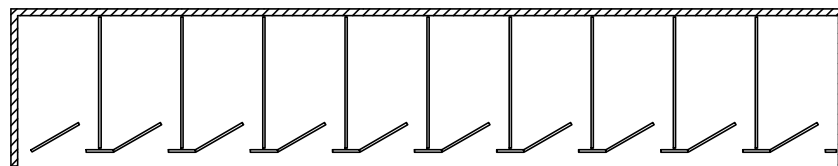
BW-7



BW-8



BW-9



BW-10