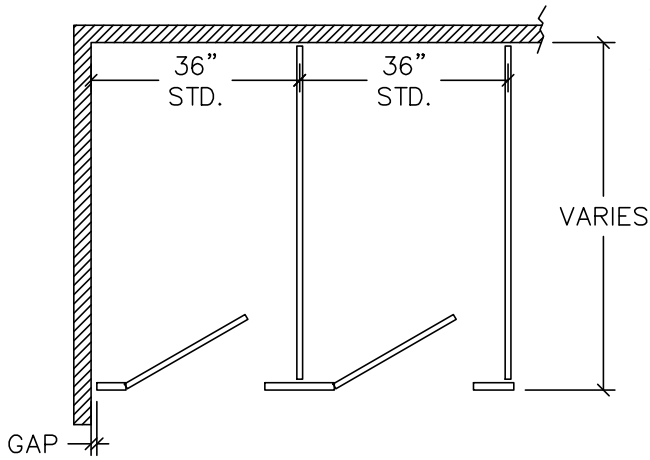
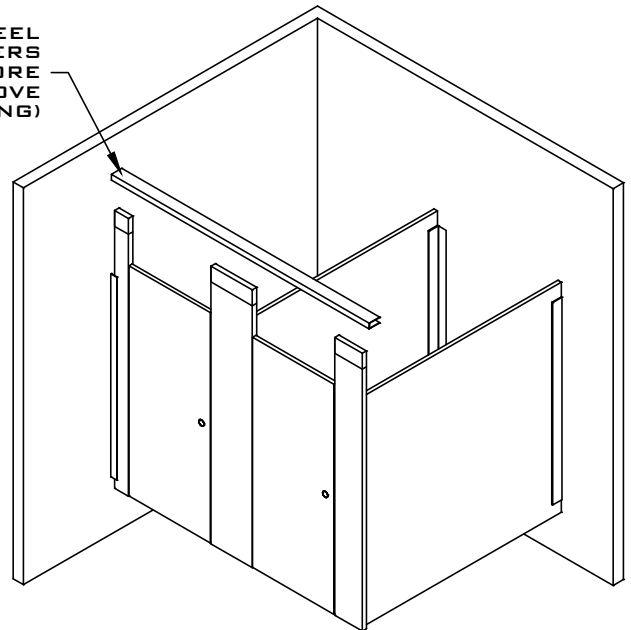


STAINLESS STEEL
CEILING HUNG
3.10A

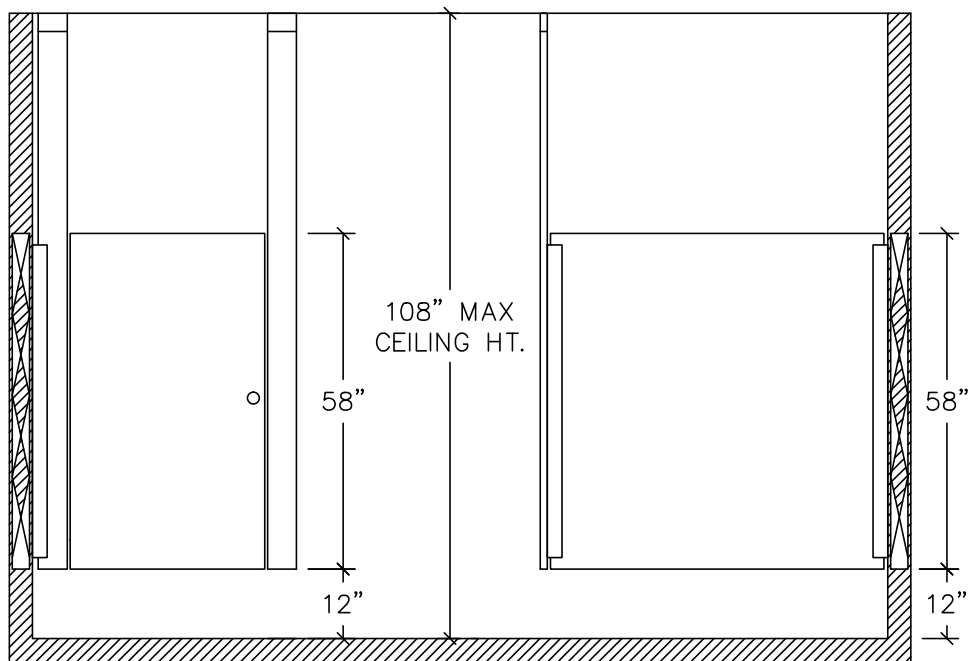


IC - 2
STANDARD
CONFIGURATION

STRUCTURAL STEEL
BY OTHERS
(LOCATED NO MORE
THAN 2 1/2" ABOVE
FINISHED CEILING)



FINISHED CEILING



FRONT & SIDE ELEVATION

 BLOCKING IN WALL BY OTHERS

REV 12/13