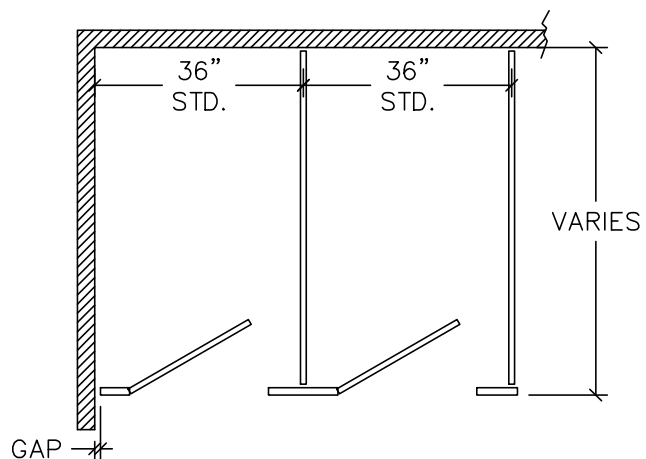
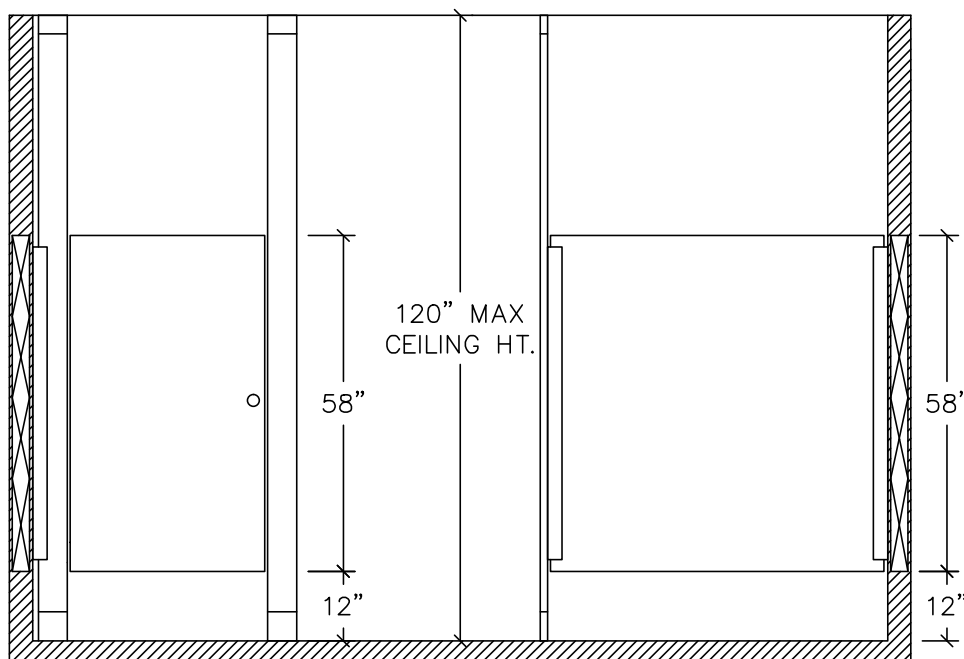
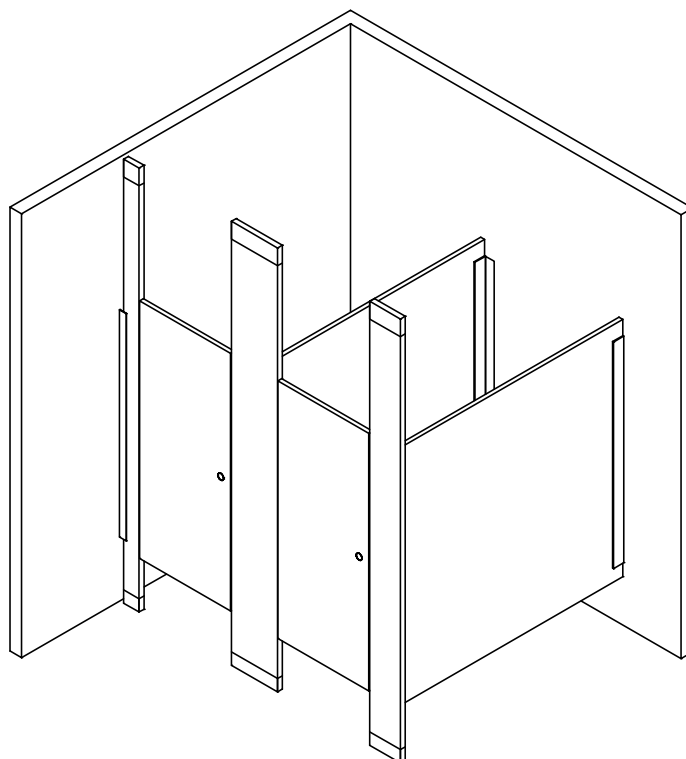


STAINLESS STEEL
FLOOR-TO-CEILING ANCHORED
3.13A



IC - 2
STANDARD
CONFIGURATION



FRONT & SIDE ELEVATION

 BLOCKING IN WALL BY OTHERS

REV 12/13