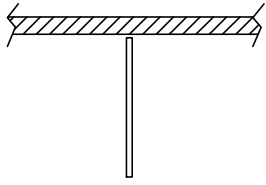


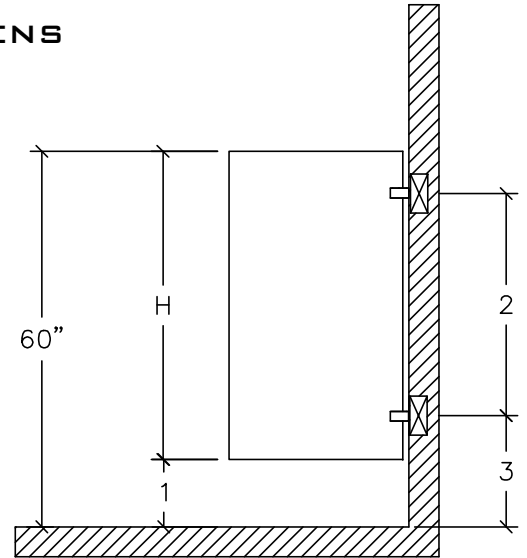
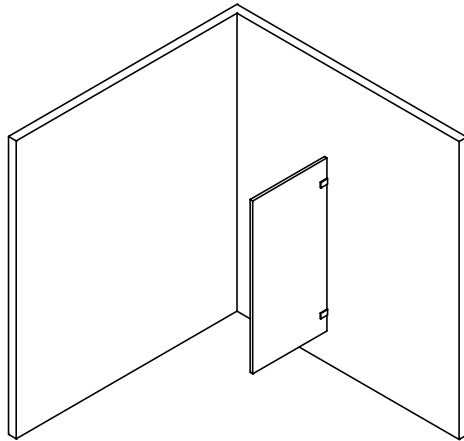
**STAINLESS STEEL
URINAL AND SIGHT SCREENS
3.17**

WALL HUNG URINAL SCREENS



**WALL HUNG
SCREEN**

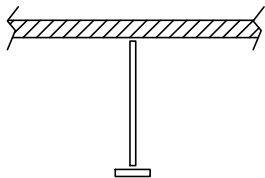
H	1	2	3
42"	18"	30"	24"
48"	12"	36"	18"



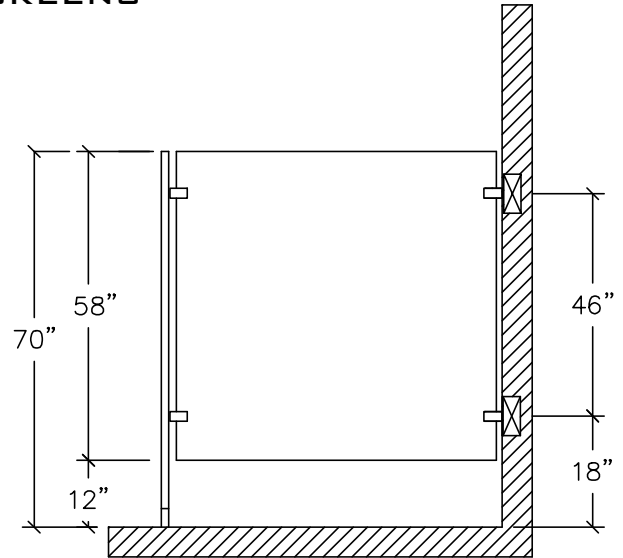
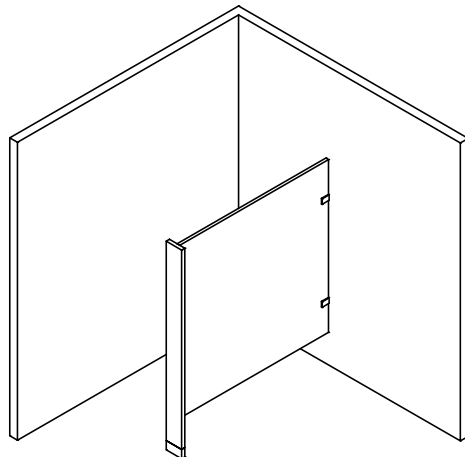
SIDE ELEVATION

**AVAILABLE IN 4 STANDARD WIDTHS, 12", 18", 24", 30";
2 STANDARD HEIGHTS, 42" & 48";
CHROME PLATED ZAMAC, STAINLESS STEEL STIRRUP BRACKETS,
CONTINUOUS ALUMINUM OR STAINLESS STEEL BRACKETS**

FLOOR ANCHORED SCREENS



**MINIMUM 6"
FLOOR ANCHORED
PILASTER**



SIDE ELEVATION

**SIGHT SCREENS ABOVE ARE 58" HIGH BY DEPTH REQUIRED
AVAILABLE WITH CHROME PLATED ZAMAC, STAINLESS STEEL
STIRRUP BRACKETS, CONTINUOUS ALUMINUM OR
STAINLESS STEEL BRACKETS**

 **BLOCKING IN WALL BY OTHERS**

REV 12/13