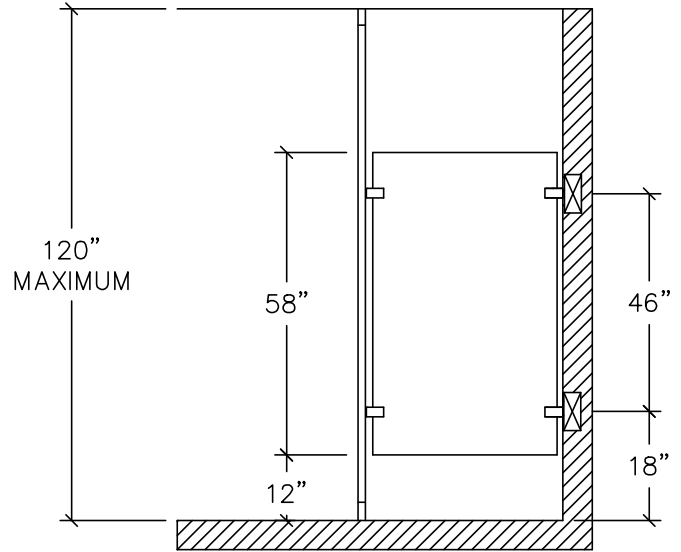
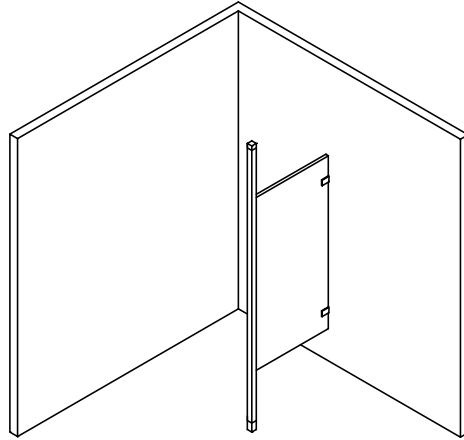
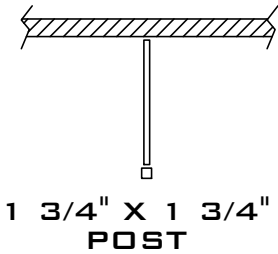


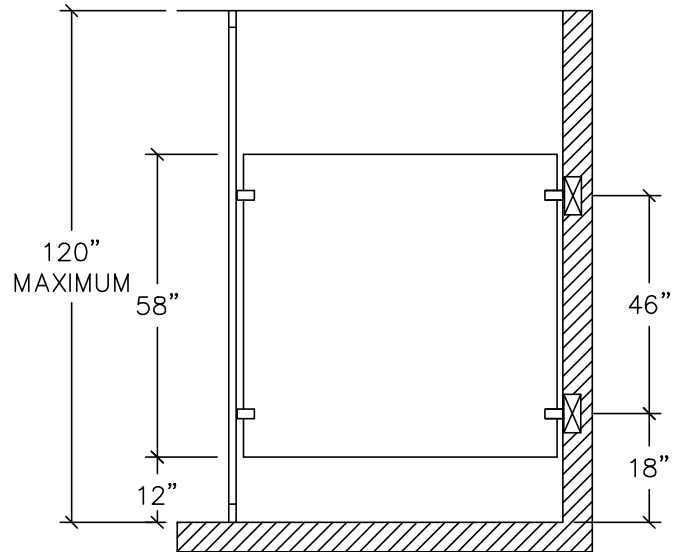
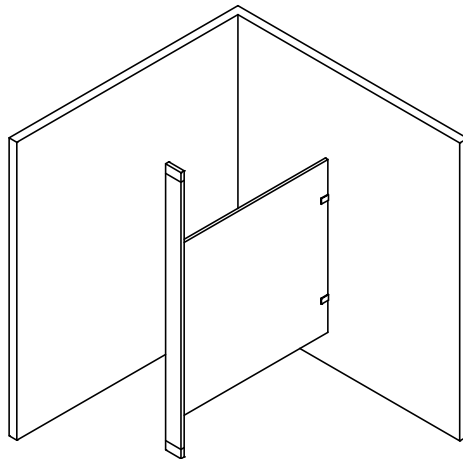
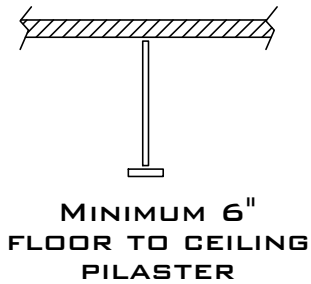
**STAINLESS STEEL
URINAL AND SIGHT SCREENS
3.18**

**FLOOR-TO-CEILING SCREENS
WITH 1 3/4" X 1 3/4"
ALUMINUM OR POWDER COATED POST**



SIDE ELEVATION

**FLOOR-TO-CEILING SCREENS
WITH PILASTER**



SIDE ELEVATION

**SIGHT SCREENS ABOVE ARE 58" HIGH BY DEPTH REQUIRED
AVAILABLE WITH CHROME PLATED ZAMAC, STAINLESS STEEL
STIRRUP BRACKETS, CONTINUOUS ALUMINUM OR
STAINLESS STEEL BRACKETS**

 **BLOCKING IN WALL BY OTHERS**

REV 12/13