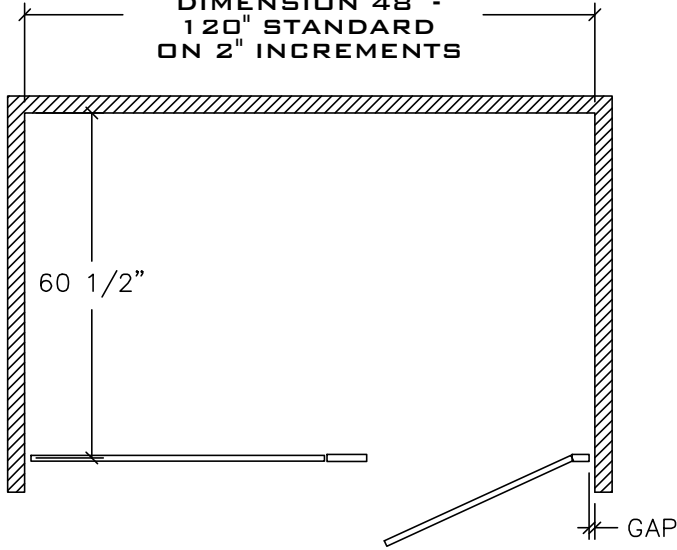


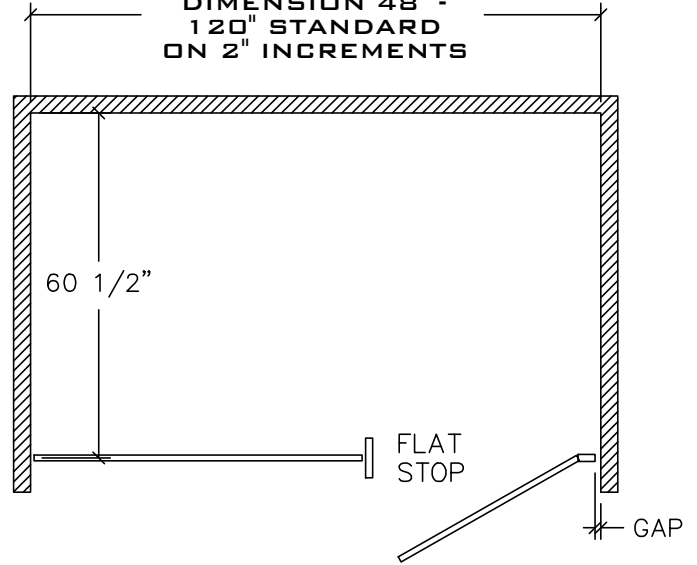
**STAINLESS STEEL
FLOOR-TO-CEILING, FLOOR
ANCHORED, CEILING HUNG
TYPICAL ALCOVE
LAYOUTS
3.2B**

**BETWEEN WALL
DIMENSION 48" -
120" STANDARD
ON 2" INCREMENTS**

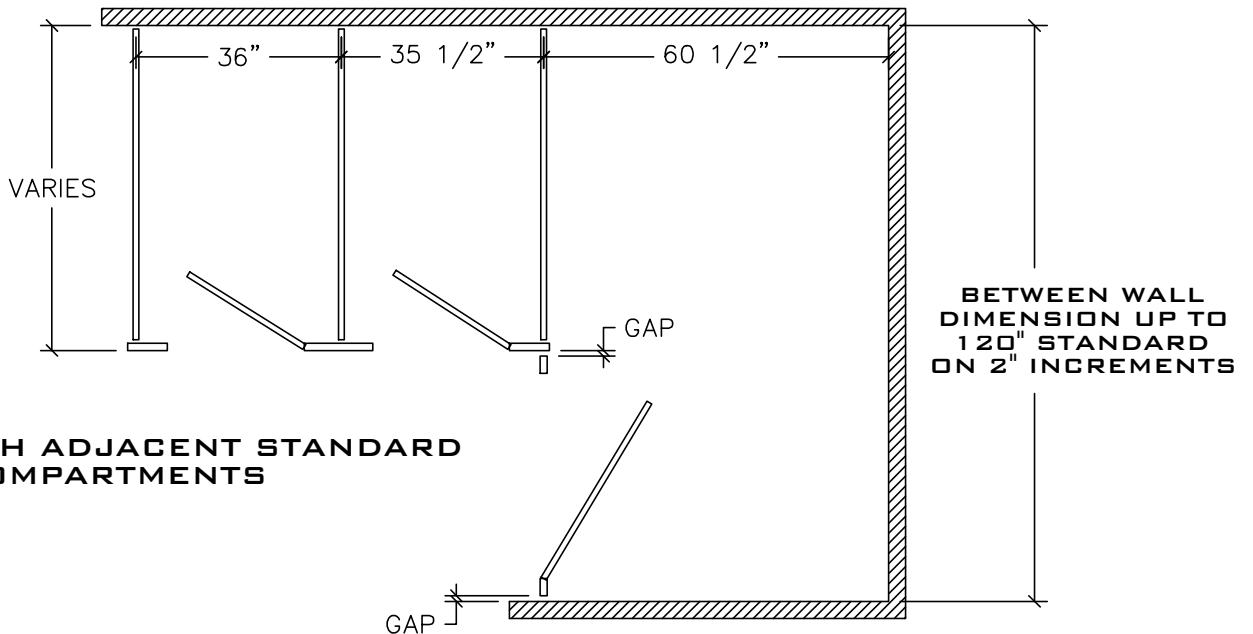


FLOOR - TO - CEILING

**BETWEEN WALL
DIMENSION 48" -
120" STANDARD
ON 2" INCREMENTS**



**FLOOR ANCHORED OR CEILING HUNG
(PILASTER SET @ 90°)**



**ALCOVE WITH ADJACENT STANDARD
COMPARTMENTS**

REV 12/13