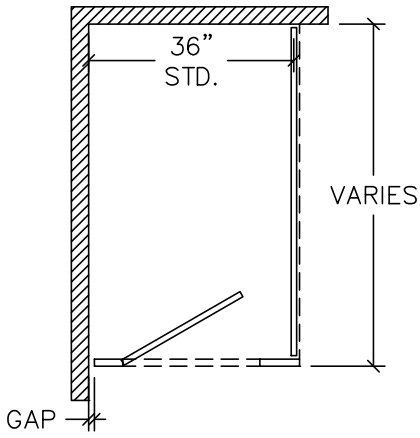
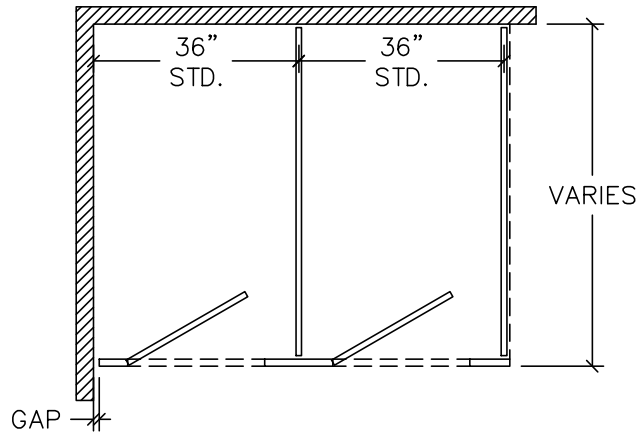


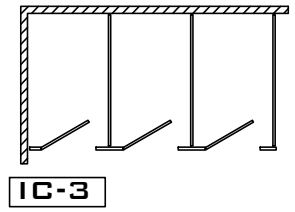
SOLID PLASTIC  
TYPICAL IN CORNER  
LAYOUTS  
4.0



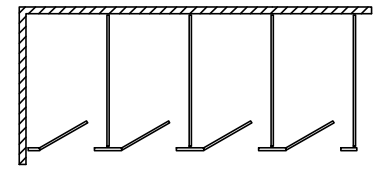
IC - 1  
STANDARD  
CONFIGURATION



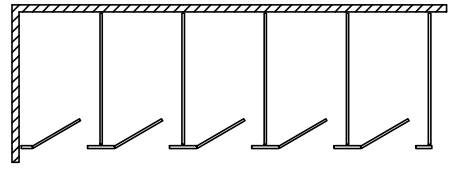
IC - 2  
STANDARD  
CONFIGURATION



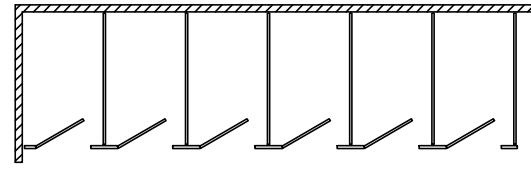
IC-3



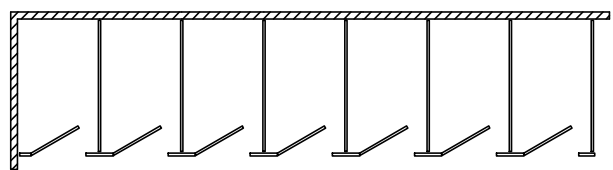
IC-4



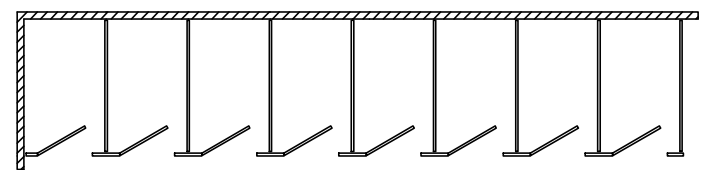
IC-5



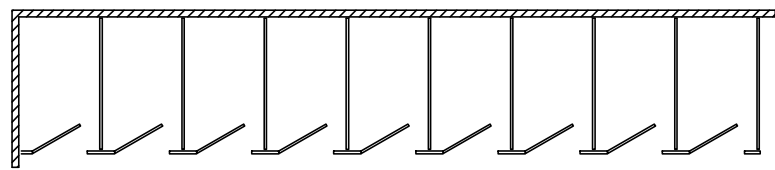
IC-6



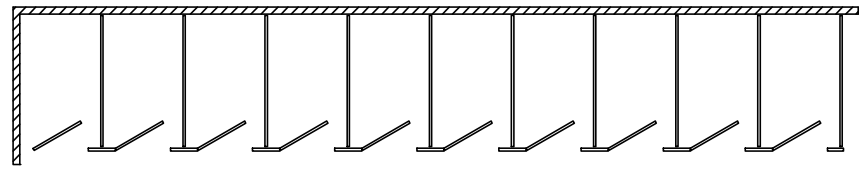
IC-7



IC-8



IC-9



IC-10