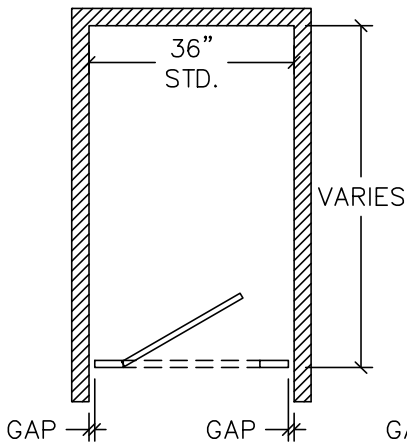
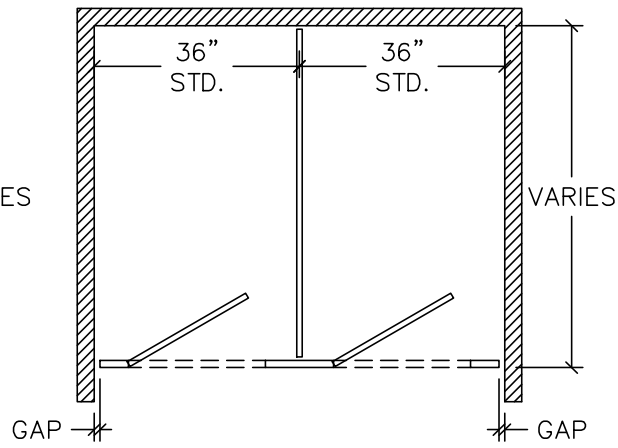


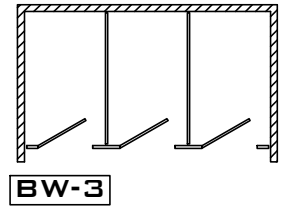
SOLID PLASTIC  
TYPICAL BETWEEN WALL  
LAYOUTS  
4.1



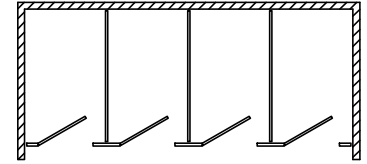
**BW - 1**  
STANDARD  
CONFIGURATION



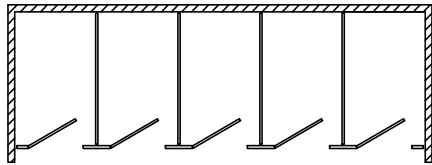
**BW - 2**  
STANDARD  
CONFIGURATION



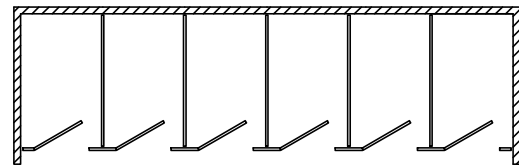
**BW-3**



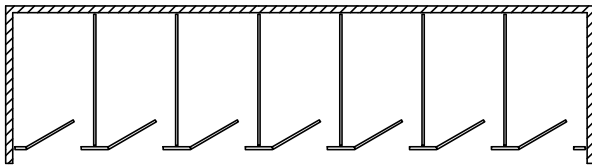
**BW-4**



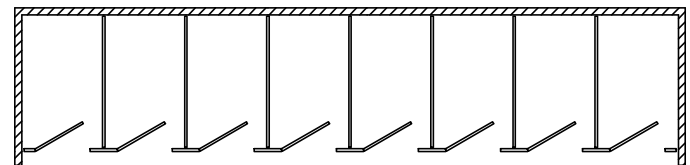
**BW-5**



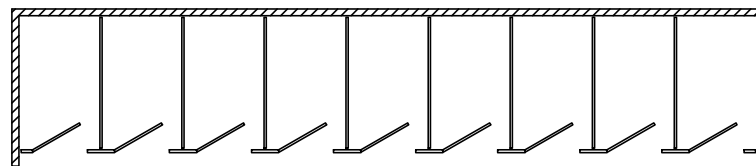
**BW-6**



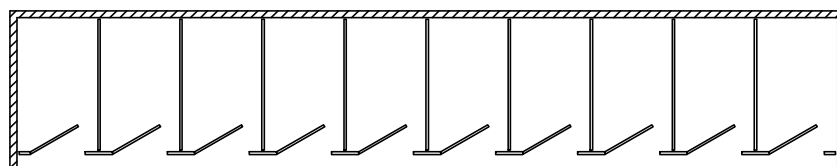
**BW-7**



**BW-8**



**BW-9**



**BW-10**