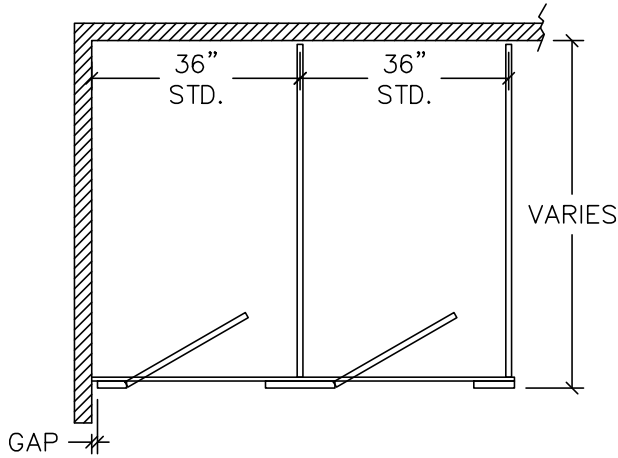
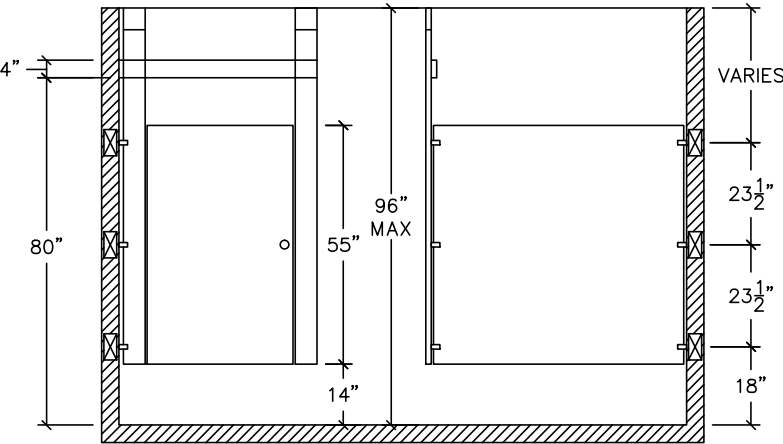
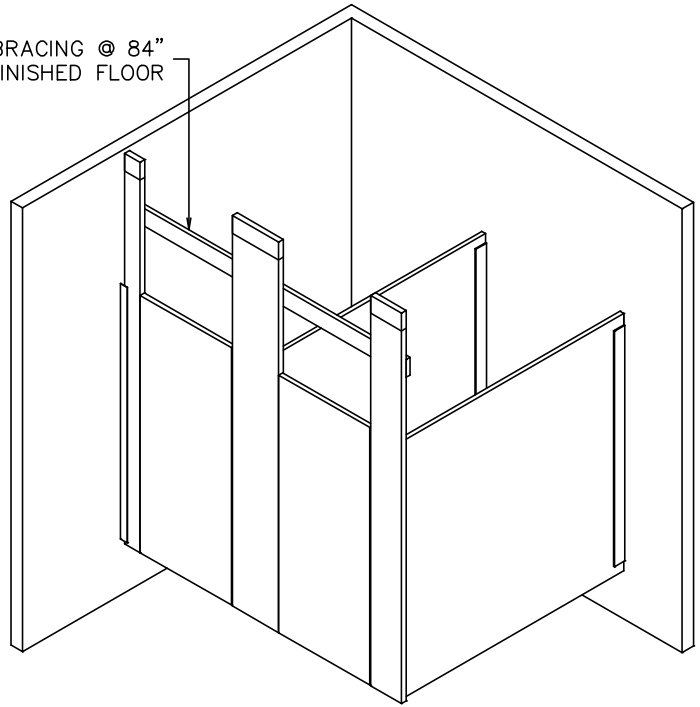


**SOLID PLASTIC
CEILING ANCHORED
4.10**

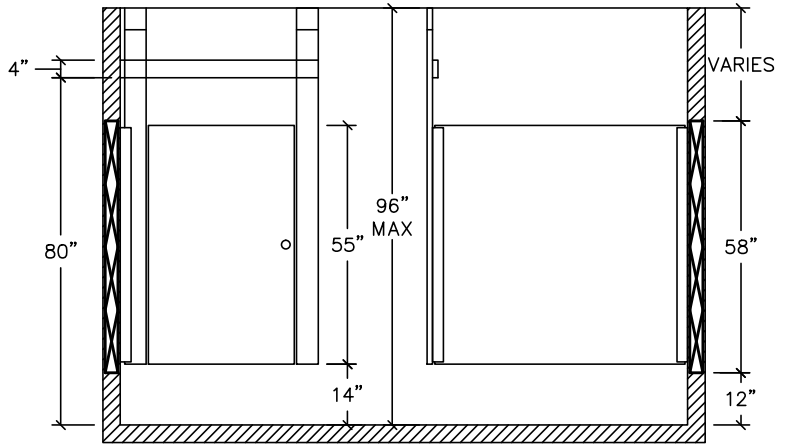


**IC - 2
STANDARD
CONFIGURATION**

4" BRACING @ 84"
ABOVE FINISHED FLOOR



**FRONT & SIDE ELEVATION
STIRRUP
BRACKETS**



**FRONT & SIDE ELEVATION
CONTINUOUS
BRACKETS**

 **BLOCKING IN WALL BY OTHERS**

REV 12/13