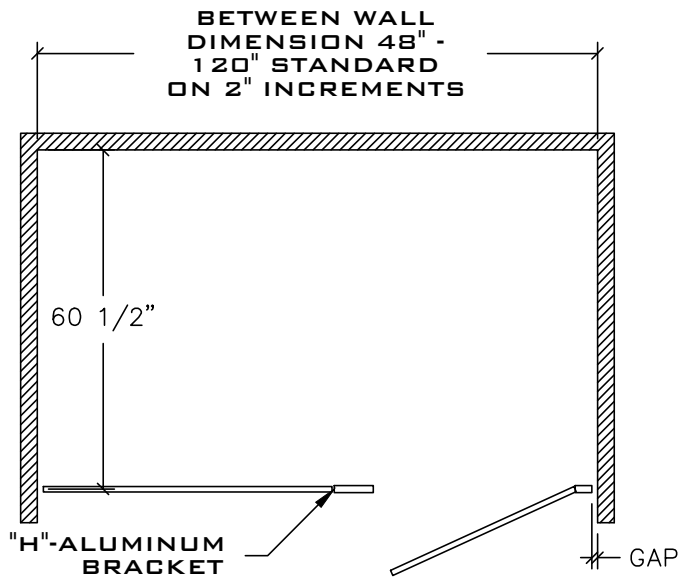
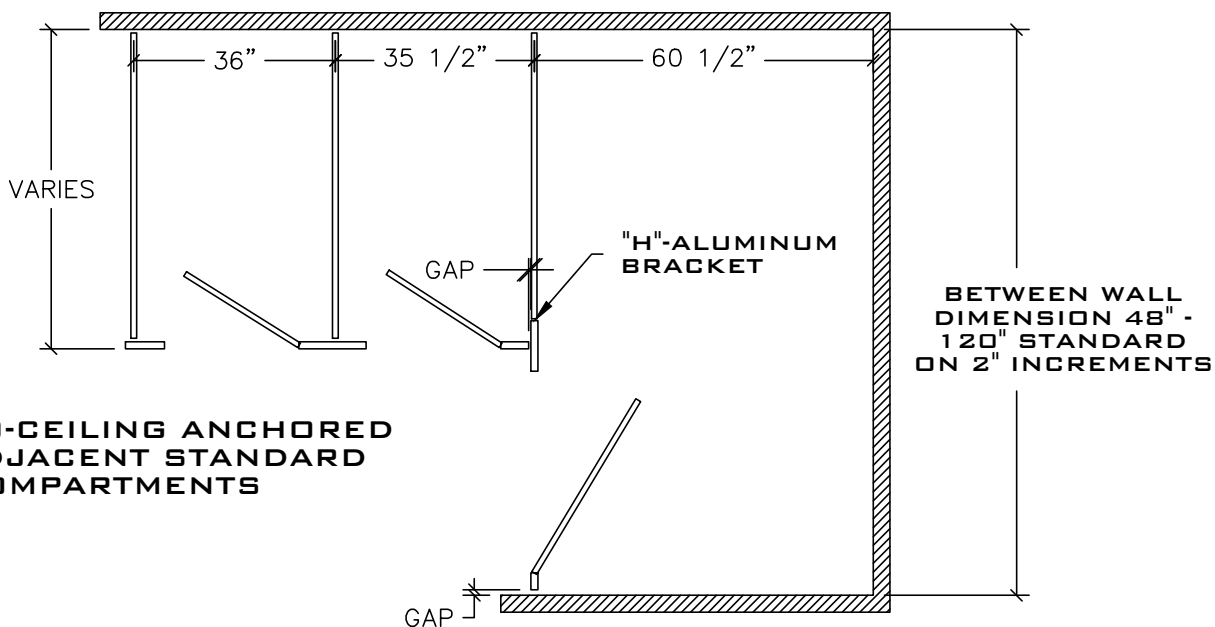


**DETAILS**

**SOLID PLASTIC  
FLOOR-TO-CEILING  
TYPICAL ALCOVE  
LAYOUTS  
4.2B**



**FLOOR-TO-CEILING**



**FLOOR-TO-CEILING ANCHORED  
WITH ADJACENT STANDARD  
COMPARTMENTS**

REV 12/13