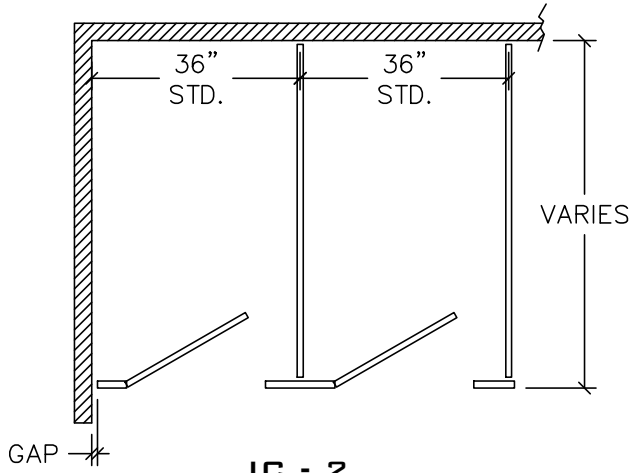
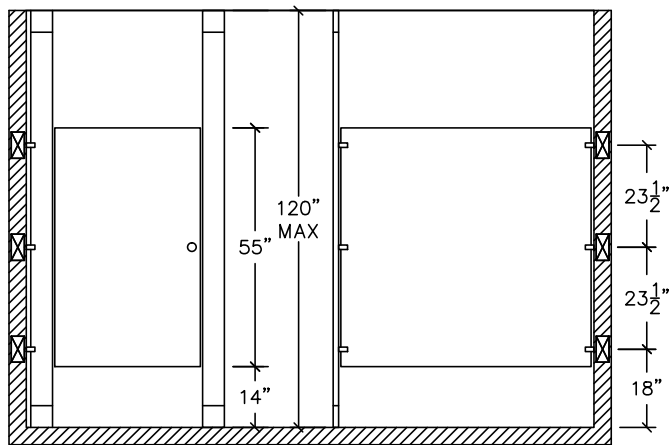
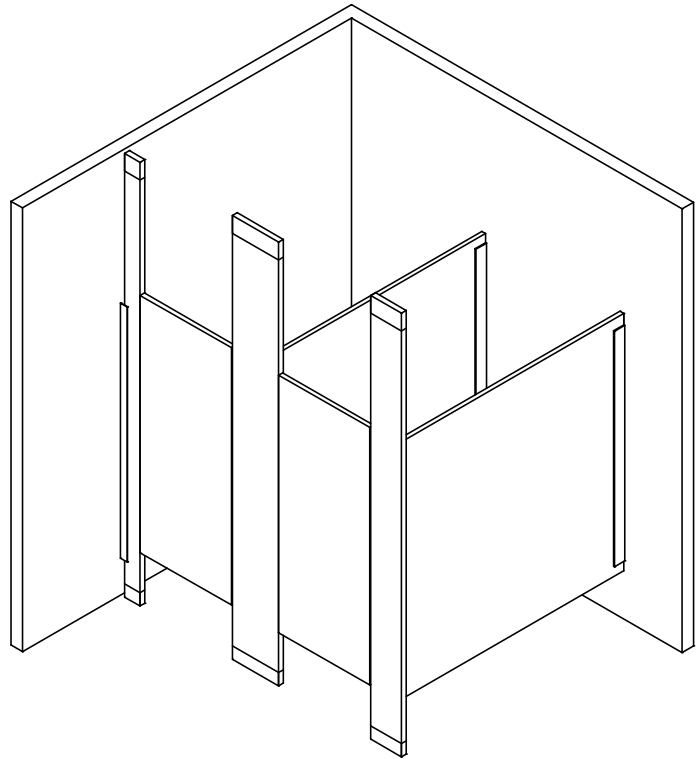


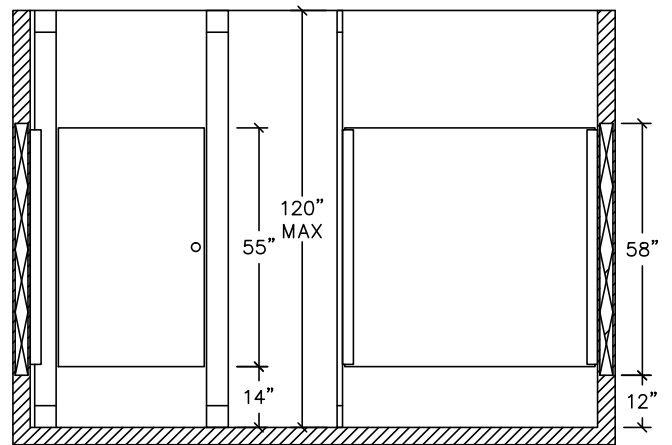
SOLID PLASTIC
FLOOR-TO-CEILING ANCHORED
4.7



IC - 2
STANDARD
CONFIGURATION



FRONT & SIDE ELEVATION
STIRRUP
BRACKETS



FRONT & SIDE ELEVATION
CONTINUOUS
BRACKETS

 BLOCKING IN WALL BY OTHERS

REV 12/13