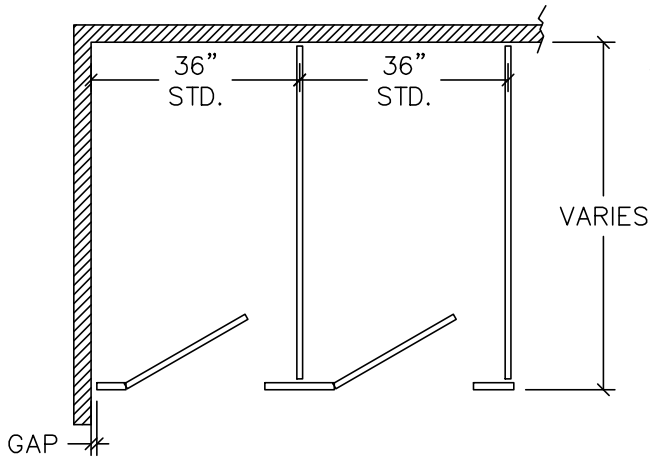
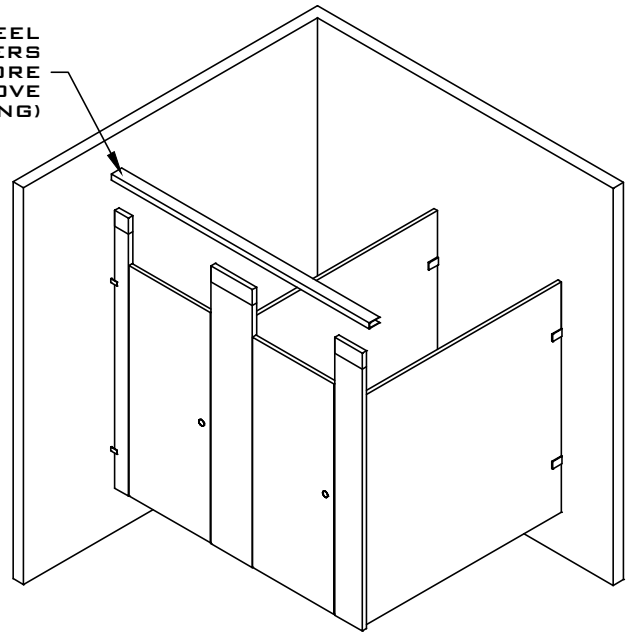


PLASTIC LAMINATE  
CEILING HUNG  
5.10

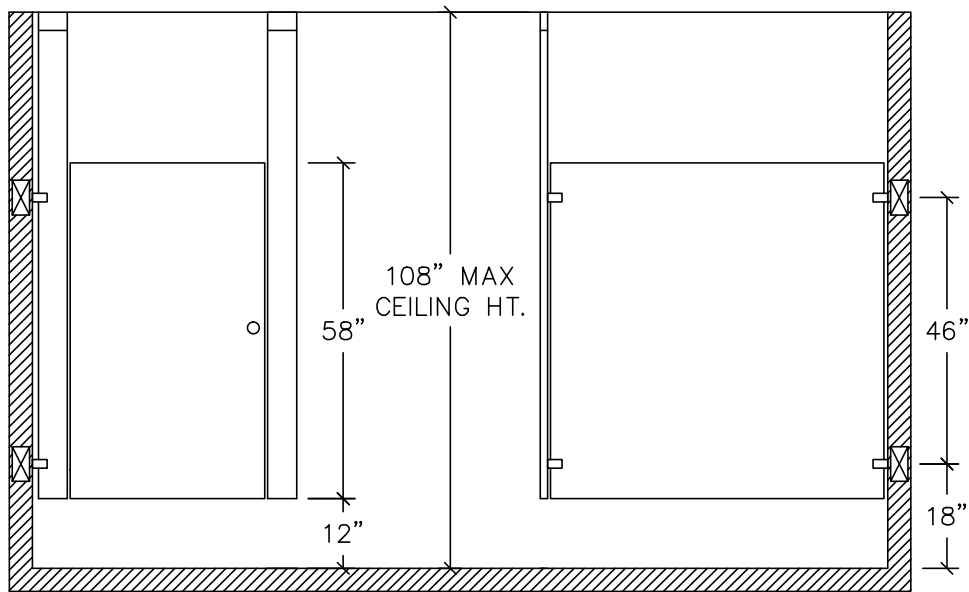


IC - 2  
STANDARD  
CONFIGURATION

STRUCTURAL STEEL  
BY OTHERS  
(LOCATED NO MORE  
THAN 2 1/2" ABOVE  
FINISHED CEILING)



FINISHED CEILING



FRONT & SIDE ELEVATION

⊠ BLOCKING IN WALL BY OTHERS

REV 12/13