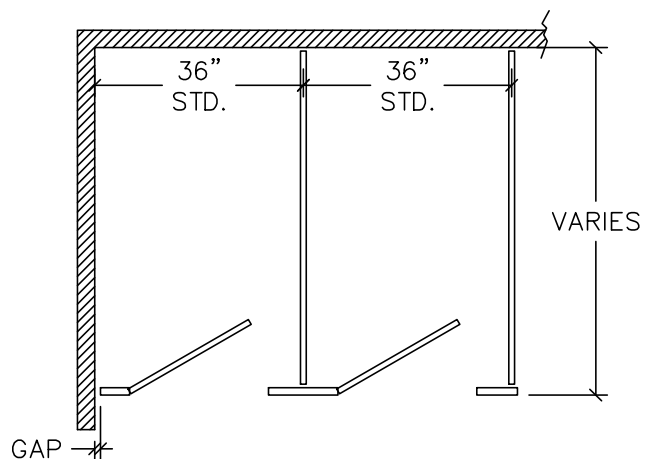
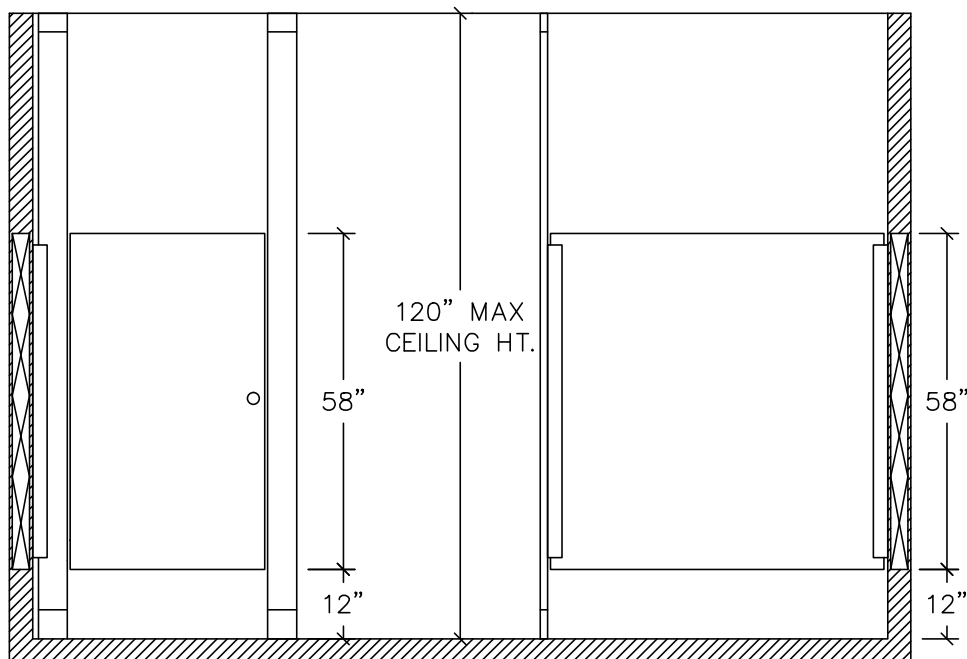
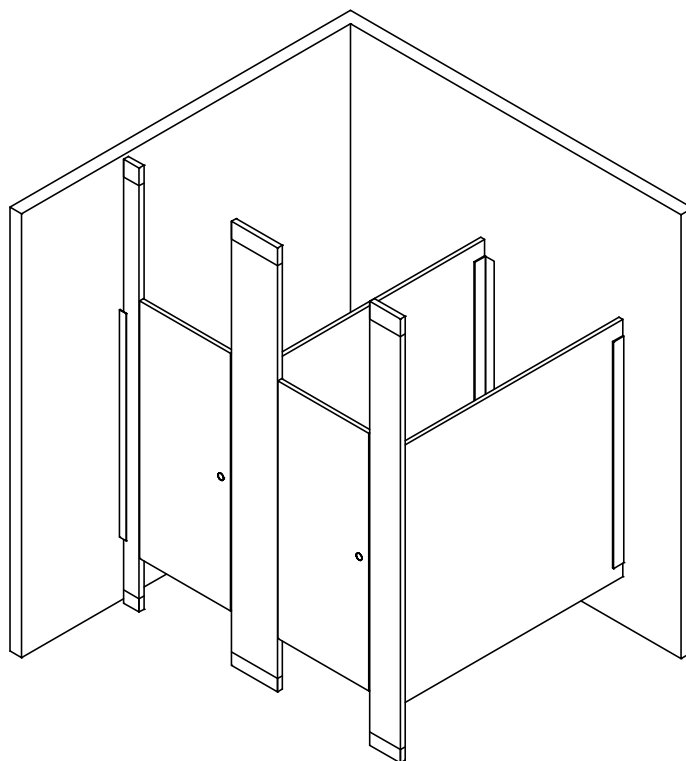


PLASTIC LAMINATE  
FLOOR-TO-CEILING ANCHORED  
5.13A



IC - 2  
STANDARD  
CONFIGURATION



FRONT & SIDE ELEVATION

 BLOCKING IN WALL BY OTHERS

REV 12/13