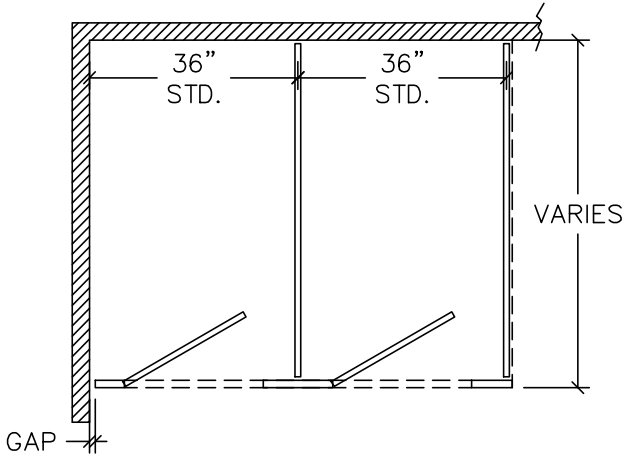
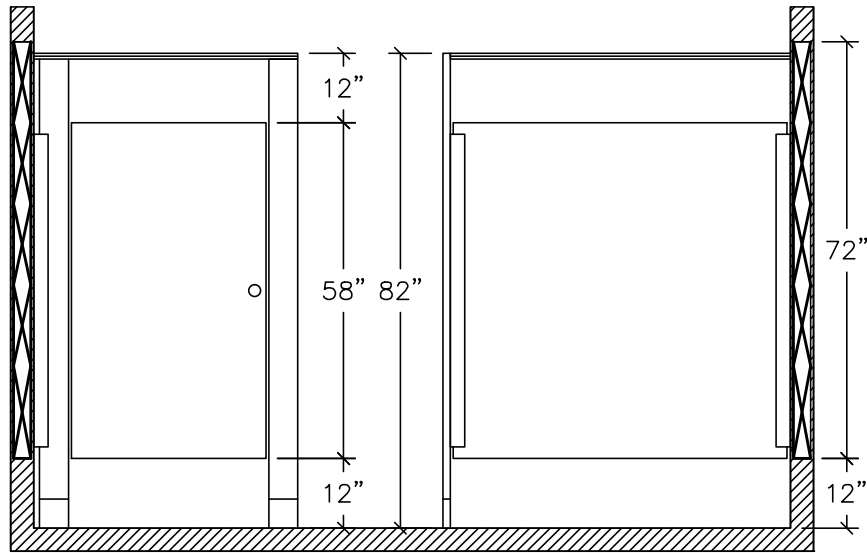
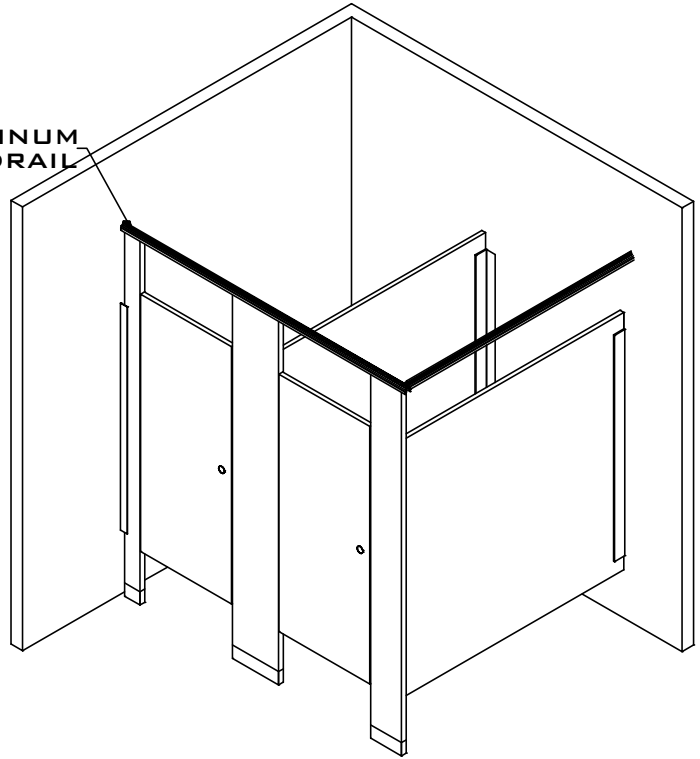


PLASTIC LAMINATE
FLOOR ANCHORED /
OVERHEAD BRACED
5.4A



IC - 2
STANDARD
CONFIGURATION

ALUMINUM
HEADRAIL



FRONT & SIDE ELEVATION

 BLOCKING IN WALL BY OTHERS

REV 12/13