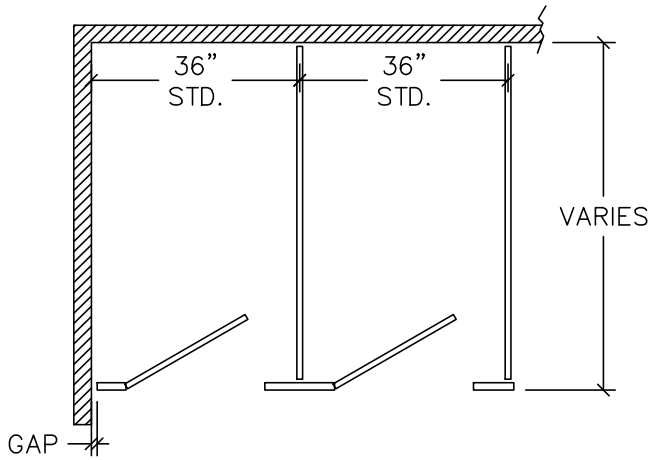
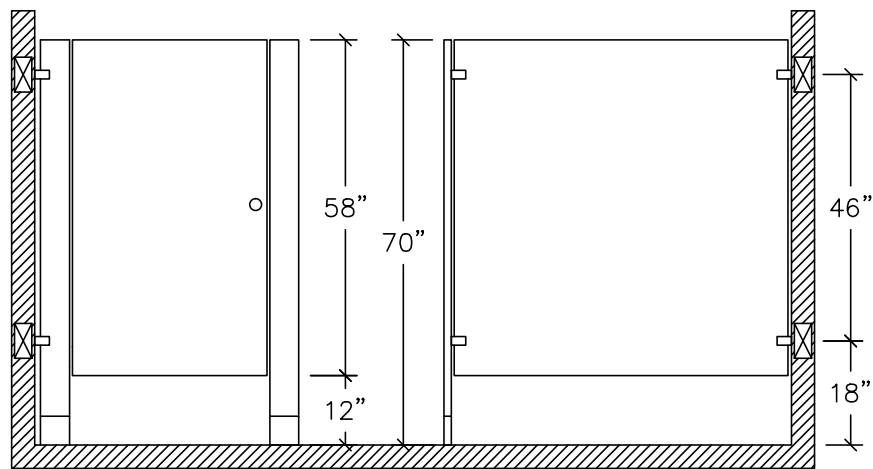
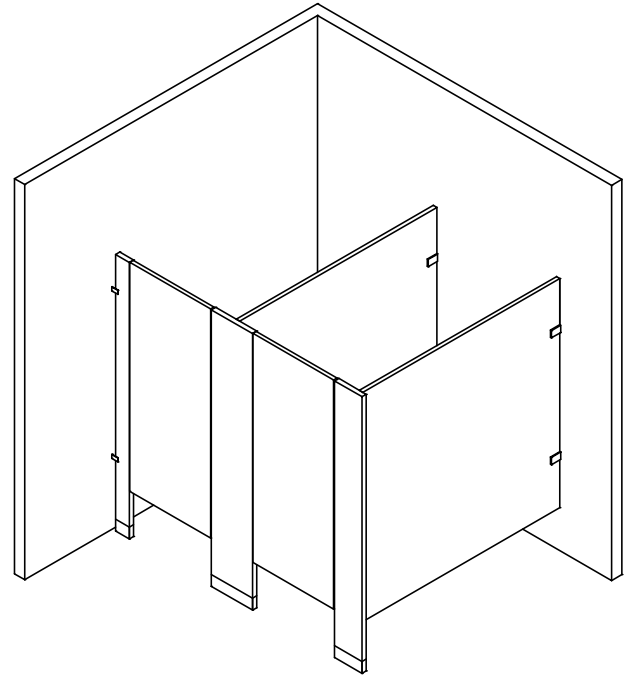


PLASTIC LAMINATE
FLOOR ANCHORED
5.7



**IC - 2
STANDARD
CONFIGURATION**



FRONT & SIDE ELEVATION

 **BLOCKING IN WALL BY OTHERS**

REV 12/13