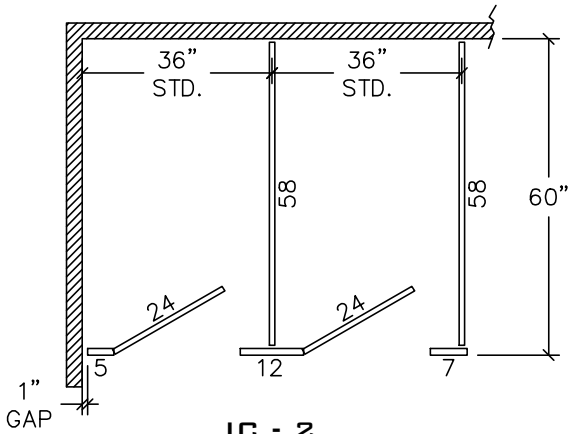


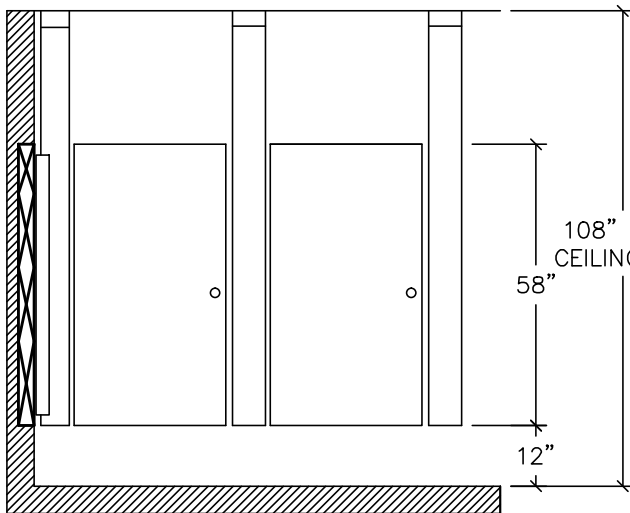
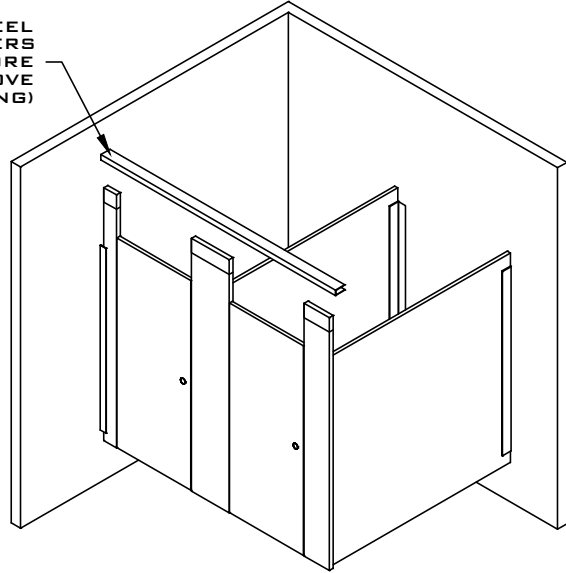
DETAILS

**PHENOLIC
CEILING HUNG
6.10A**

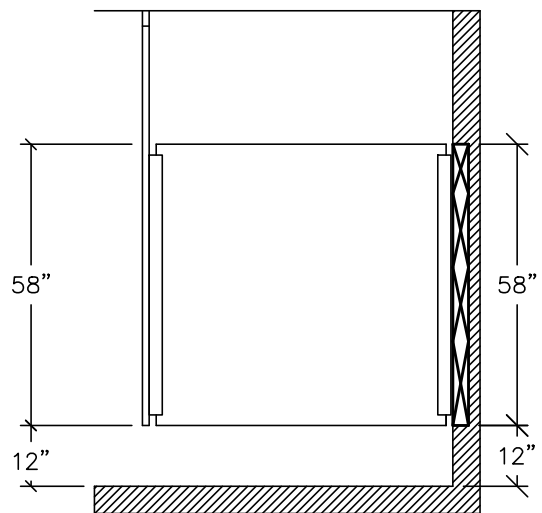


**IC - 2
STANDARD
CONFIGURATION**

STRUCTURAL STEEL
BY OTHERS
(LOCATED NO MORE
THAN 2 1/2" ABOVE
FINISHED CEILING)



FRONT ELEVATION



SIDE ELEVATION

 **BLOCKING IN WALL BY OTHERS**

REV 5/13