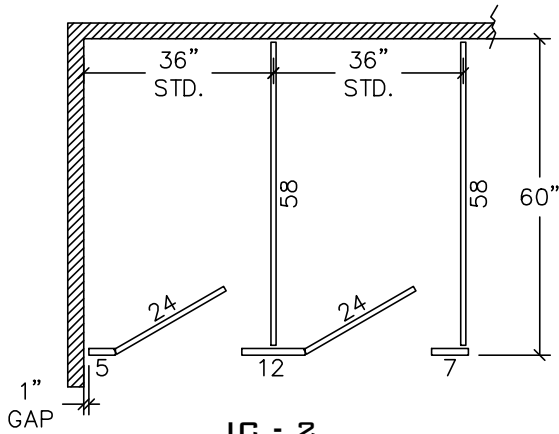
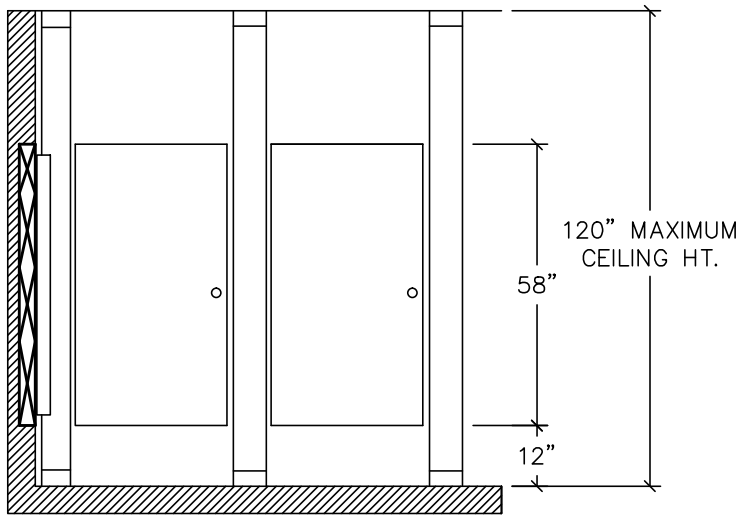
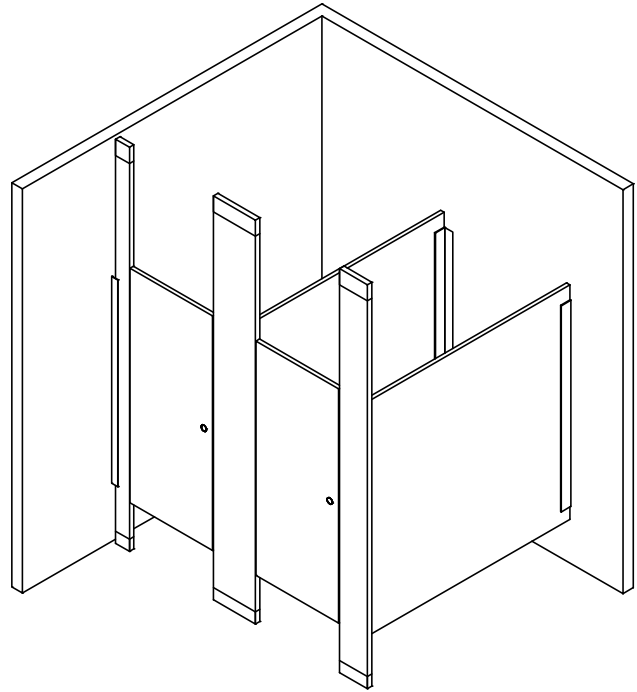


**DETAILS**

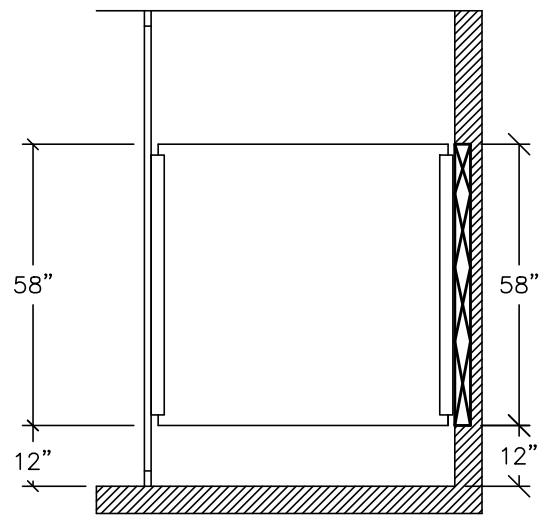
**PHENOLIC  
FLOOR-TO-CEILING ANCHORED  
6.13A**



**IC - 2  
STANDARD  
CONFIGURATION**



**FRONT ELEVATION**



**SIDE ELEVATION**

 **BLOCKING IN WALL BY OTHERS**

REV 5/13