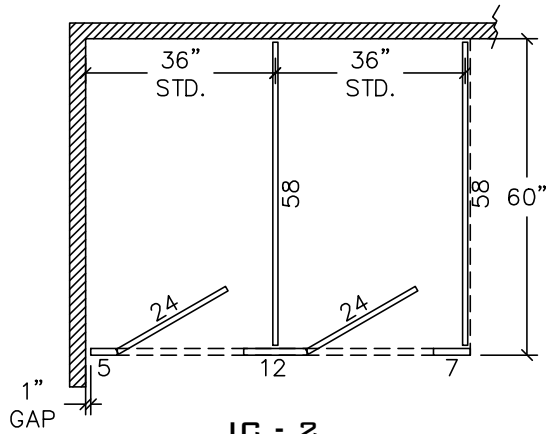


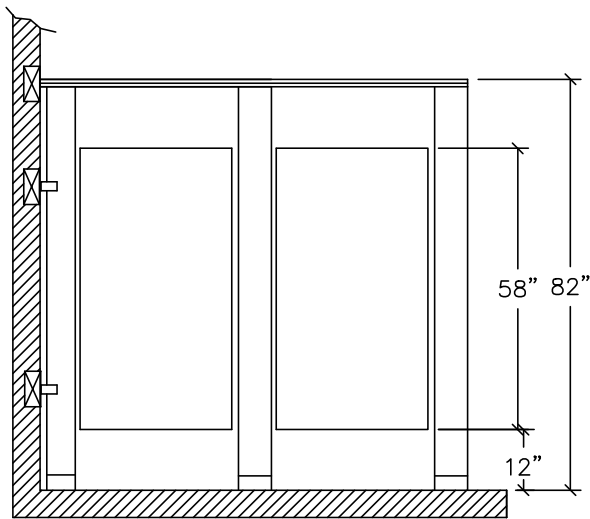
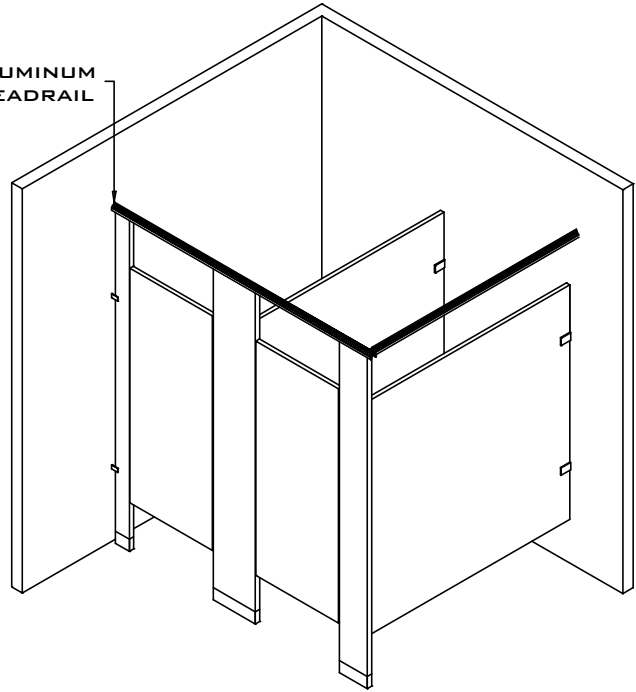
**DETAILS**

**PHENOLIC  
FLOOR ANCHORED /  
OVERHEAD BRACED  
6.4**

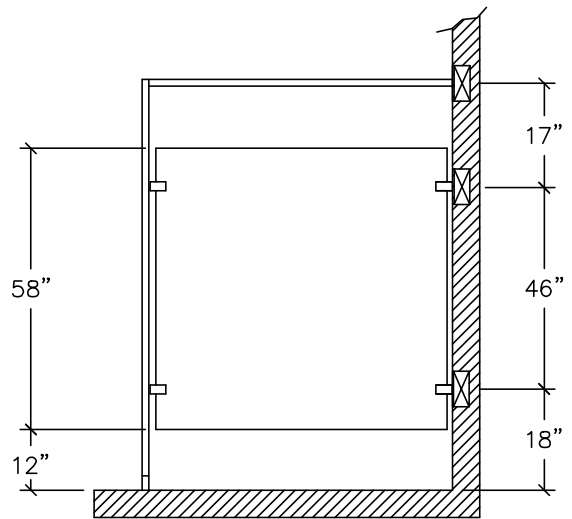


**IC - 2  
STANDARD  
CONFIGURATION**

ALUMINUM  
HEADRAIL



**FRONT ELEVATION**



**SIDE ELEVATION**

 **BLOCKING IN WALL BY OTHERS**

REV 5/13