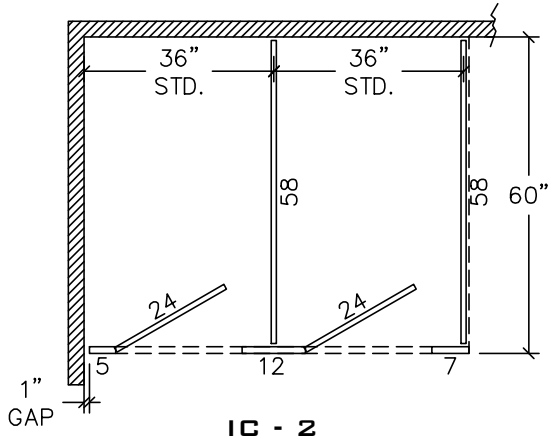


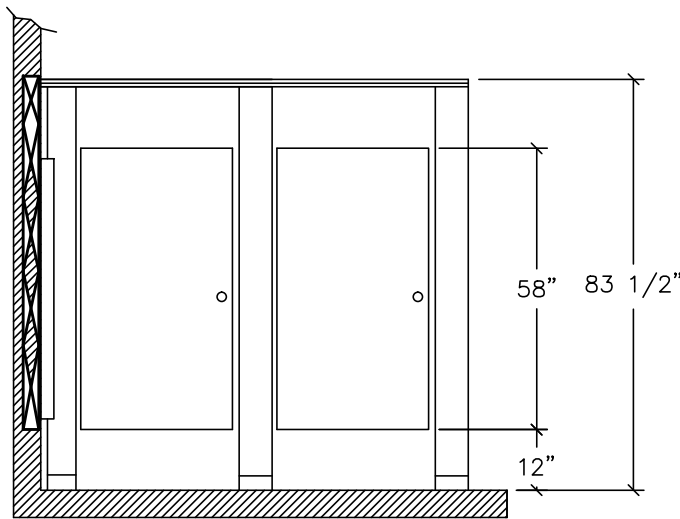
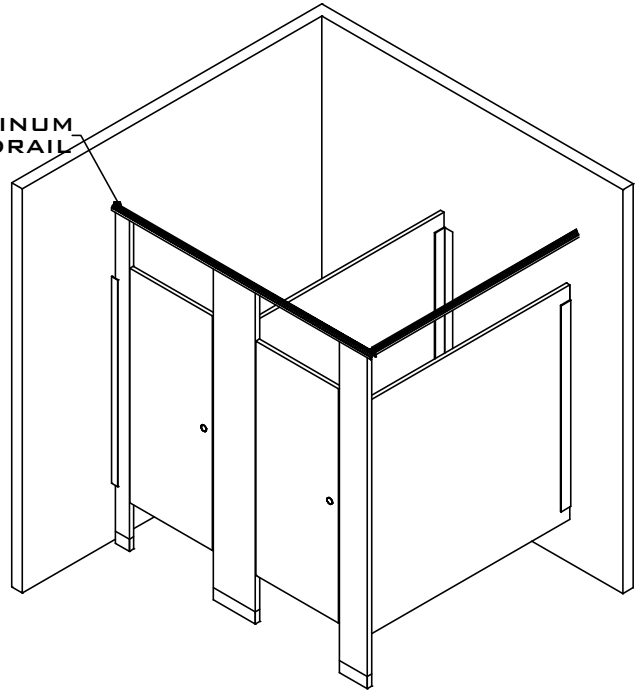
DETAILS

**PHENOLIC
FLOOR ANCHORED /
OVERHEAD BRACED
6.4A**

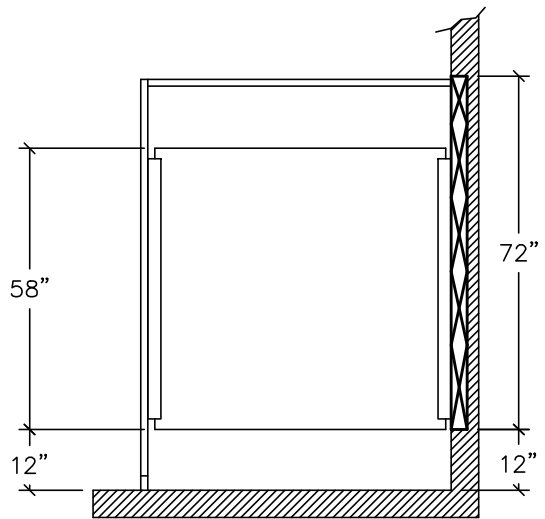


**IC - 2
STANDARD
CONFIGURATION**

ALUMINUM
HEADRAIL



FRONT ELEVATION



SIDE ELEVATION

 **BLOCKING IN WALL BY OTHERS**

REV 5/13