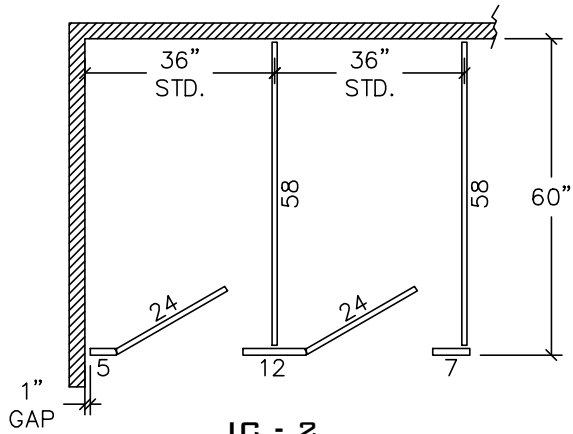
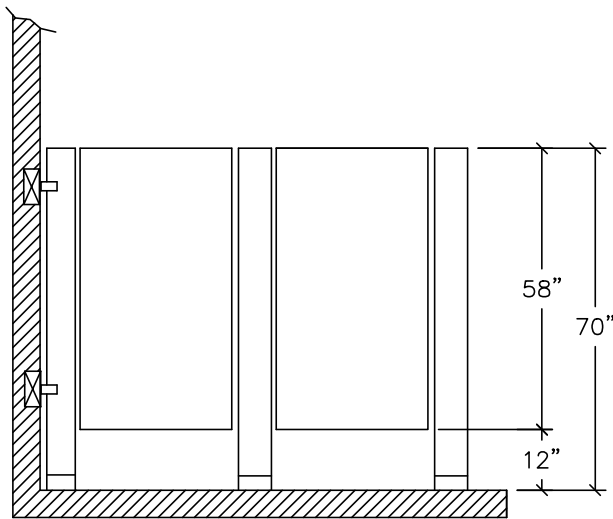
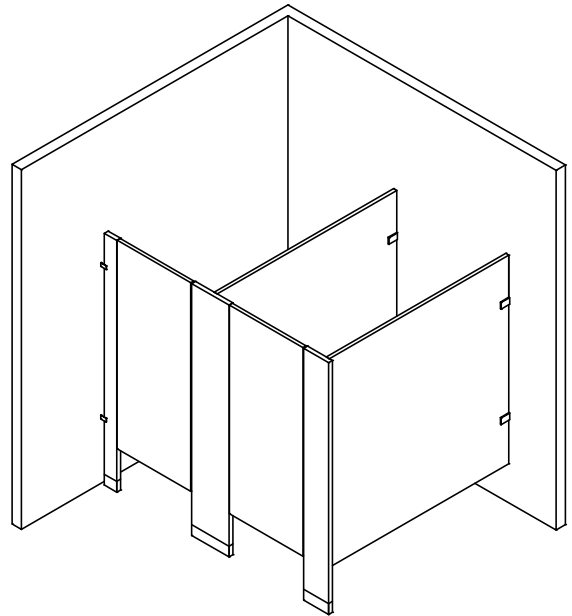


DETAILS

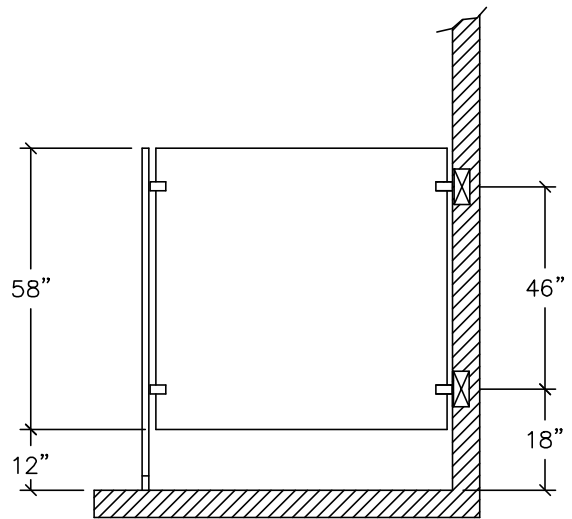
**PHENOLIC
FLOOR ANCHORED
6.7**



**IC - 2
STANDARD
CONFIGURATION**



FRONT ELEVATION



SIDE ELEVATION

BLOCKING IN WALL BY OTHERS

REV 5/13