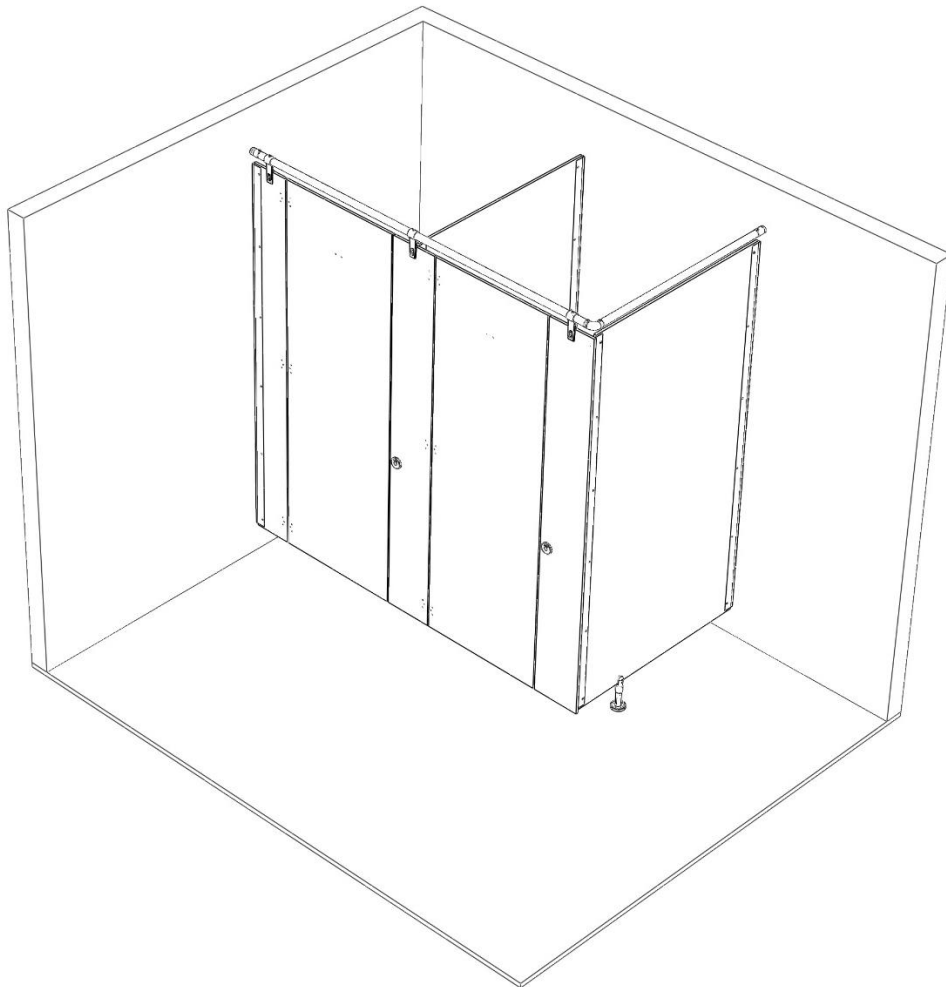




**INSTALLATION INSTRUCTIONS FOR**  
**ALPACO ELEGANCE PARTITIONS**



## Table of Contents

<u>Topic</u>	<u>Page</u>
Layout and Wall Brackets.....	2
Panel and Pilaster Prep.....	3
Securing Components and Headrail .....	4
Panel to Pilaster/Wall Assembly .....	5
Pilaster/Wall Assembly .....	6
Pilaster/Panel Alcove Assembly.....	7
Door Hardware Inswing Assembly.....	8
Door Hardware Outswing Assembly.....	9
Urinal Screen Assembly.....	10
Latch Assembly.....	11
Care and Maintenance of Bathroom Partitions.....	12

## Required Tools

- Power Drill
- Drill Bit Stop
- T-27 Pin Torx Driver
- 4' (or longer) Level
- 1/4", #19, and #25 Drill Bits (and others as needed)
- 6" (or 9" if required) Support

## Important

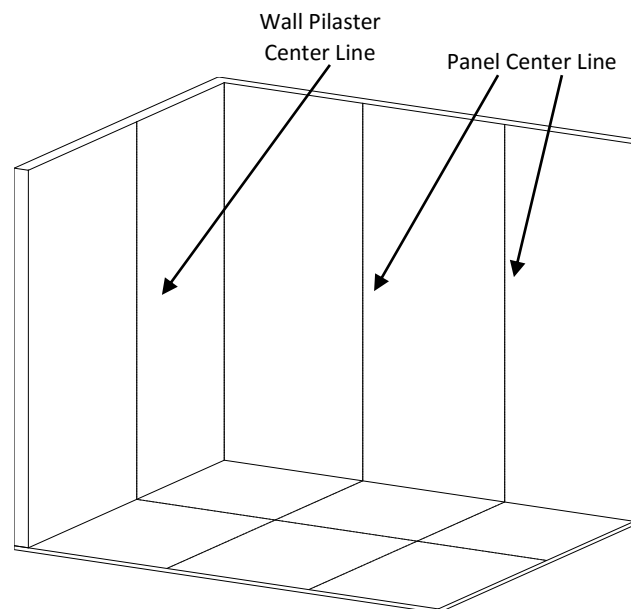
The components for this project have been custom fabricated. These components are guaranteed with respect to their manufacture and craftsmanship and were inspected at the factory.

Before beginning work, the units should be inspected. If damage occurred in transit, report immediately to the freight company or other agencies that may have caused the damage.

## **STEP 1:** **LAYOUT**

- A. Before proceeding, confirm that the backings of the walls and floor are adequate to support the secure mounting of the ALPACO Elegance units.
- B. Review the layout drawings and package lists that have accompanied this order.
- C. Establish and mark panel center lines for wall brackets.
- D. Mark wall bracket holes using the brackets as templates. The bottom of the bracket should sit at 6 1/4" (or 9 1/4" if required) above the floor.
- E. If installing an alcove, please see page 7 for details.

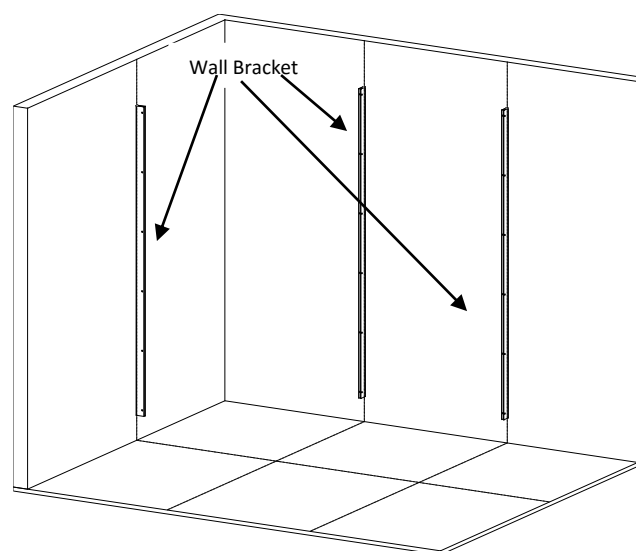
### **FIGURE 1**



## **STEP 2:** **WALL BRACKETS**

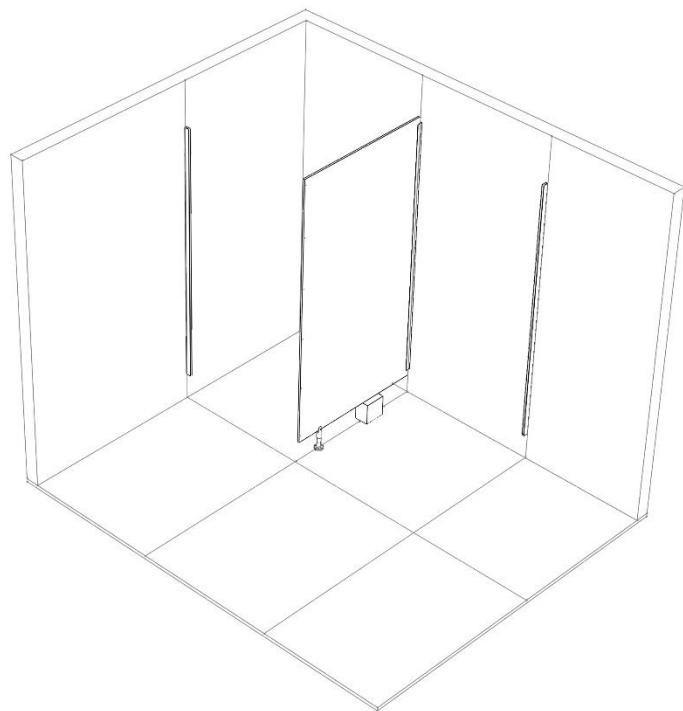
- A. Drill 1/4" diameter x 2.5" deep holes for the red plastic shields provided using a 1/4" drill bit. However, as site conditions vary, an assortment of bit sizes is recommended.
- B. Insert the anchoring devices into the walls and secure the wall brackets.

### **FIGURE 2**



### **STEP 3:** **POSITION PANEL**

- A. Assemble pedestal and adjust it to the desired height.
- B. Place the panel on a temporary support device that is 6" (9" if required) tall. Set the panel into the wall bracket and unanchored pedestal.
- C. Adjust the gap between the panel and wall bracket.
- D. Plumb, level, and fasten the panel to the wall bracket.
- E. Remove the support device.

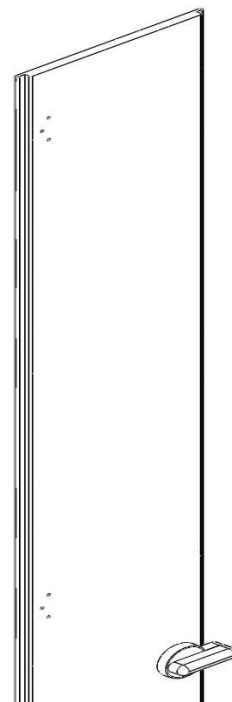


**FIGURE 3**

### **STEP 4:** **PILASTER PREPARATION**

- A. **Note that each pilaster is labeled on its front and can be matched to the layout based on that label.** Align the U-brackets in position on rear of pilasters. Refer to layout drawings and make sure U-brackets are in alignment with wall brackets.
- B. Mark U-bracket holes using the wall brackets as templates. Drill 0.165" diameter x 7/16" deep holes for U-bracket fasteners (a #19 drill bit and drill bit stop are recommended for this). **Correct hole diameter and depth is critical.**
- C. Fasten U-brackets to pilaster. **Note that the pilaster is pre-drilled for headrail clips, and these headrail clips should be on top of the pilaster and facing outside the compartment before fastening.**

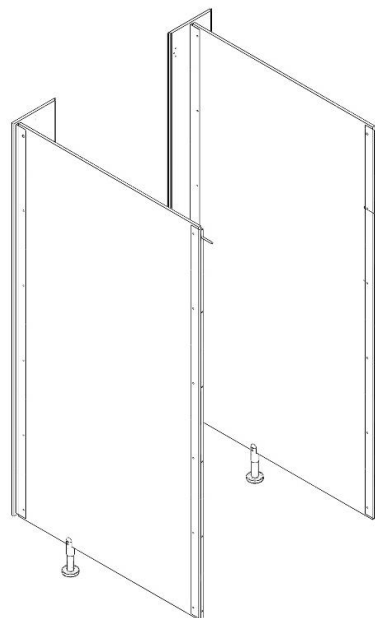
**FIGURE 4**



## **STEP 5:** **SECURING PILASTERS TO PANELS**

- A. A 6" (or 9" if required) support is recommended to place under each pilaster to assist in alignment.
- B. Plumb each pilaster and fasten the pilaster to the panel with U-brackets using through-bolts through the panel.
- C. Establish door openings as measured from the inner edge of one pilaster to the inner edge of the other pilaster.
- D. Mark and drill floor and panel for each pedestal. Attach pedestal to the floor and the panel.
- E. Remove the support device.

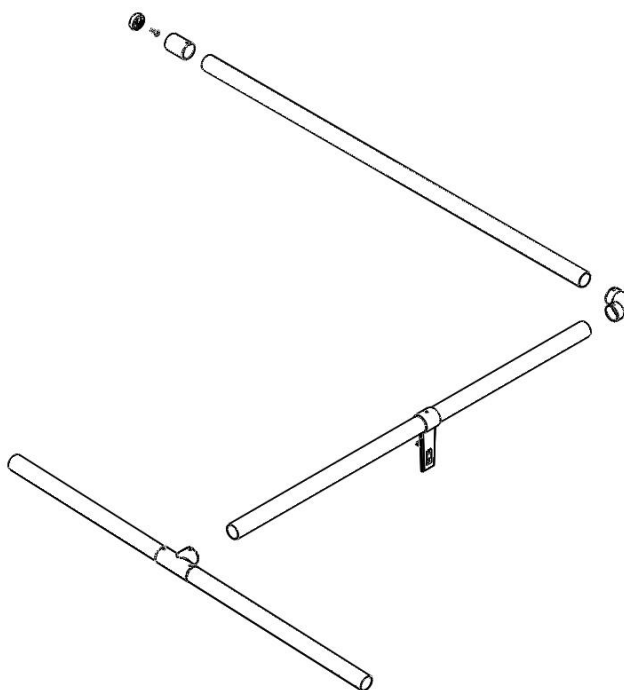
### **FIGURE 5**



## **STEP 6:** **HEAD RAIL**

- A. Plumb each pilaster.
- B. Verify door openings between pilasters prior to drilling holes in headrail (holes for headrail clips and couplers are predrilled at the factory).
- C. Attach the head rail (see figure for head rail connections).  
**Tube should be seated fully into the connectors and drilled to accept fasteners using a #25 drill bit.**

### **FIGURE 6**



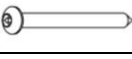
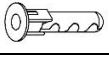
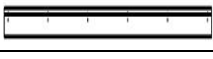



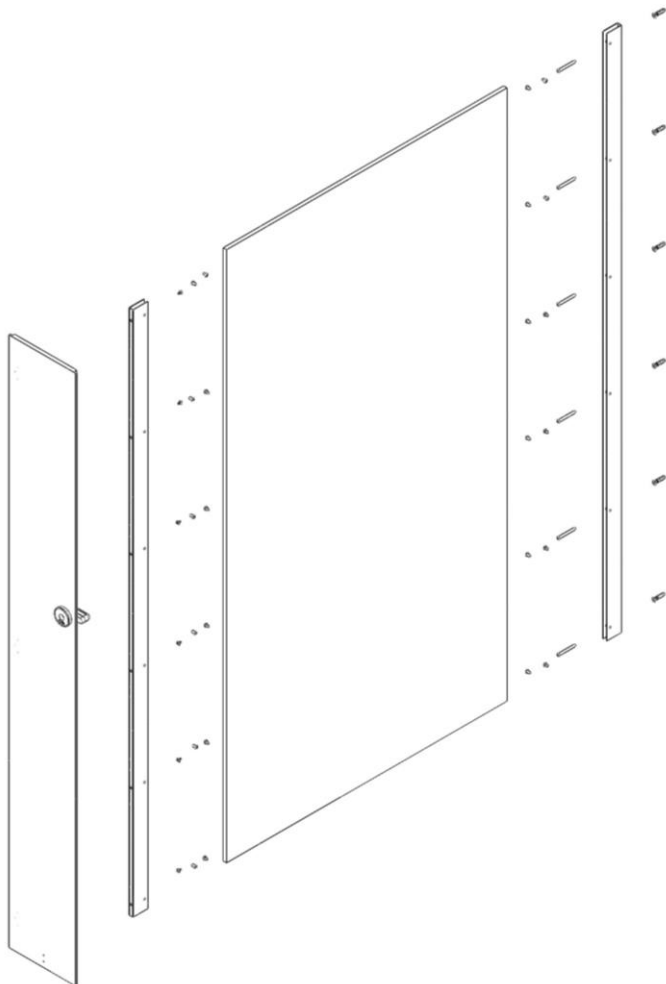
## PANEL TO PILASTER/WALL

### ASSEMBLY

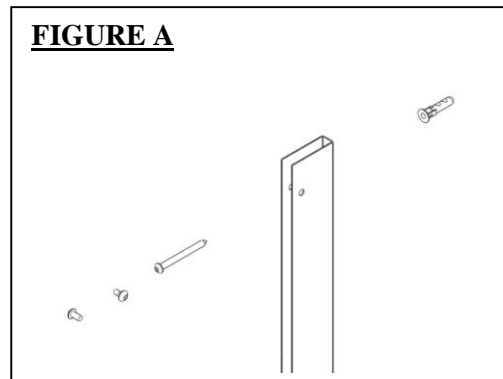
- A. Plumb panel and fasten panel to wall bracket with through-bolts. To facilitate the through-bolts, the holes of the panel should be drilled with a 1/4" drill bit through the panel.
- B. Plumb pilaster and fasten pilaster to panel using through-bolts with barrel nuts.

### HARDWARE LIST

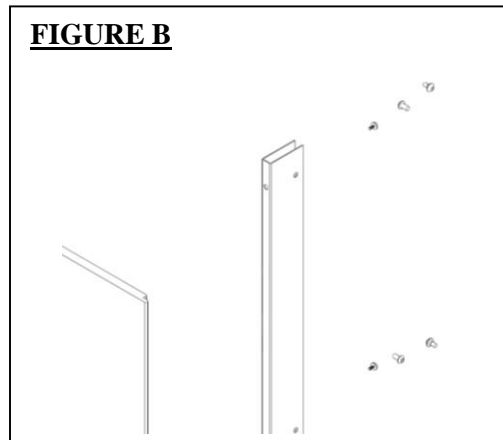
PICTURE	DESCRIPTION	QTY
	#10-24 x 3/8" NUT	12
	#10-24 x 1/2" BOLT	12
	#12 x 2.5" WALL SCREW	6
	RED PLASTIC SHIELD	6
	"U" BRACKET	2
	#12 x 7/16" BRACKET SCREW	6



**FIGURE A**



**FIGURE B**



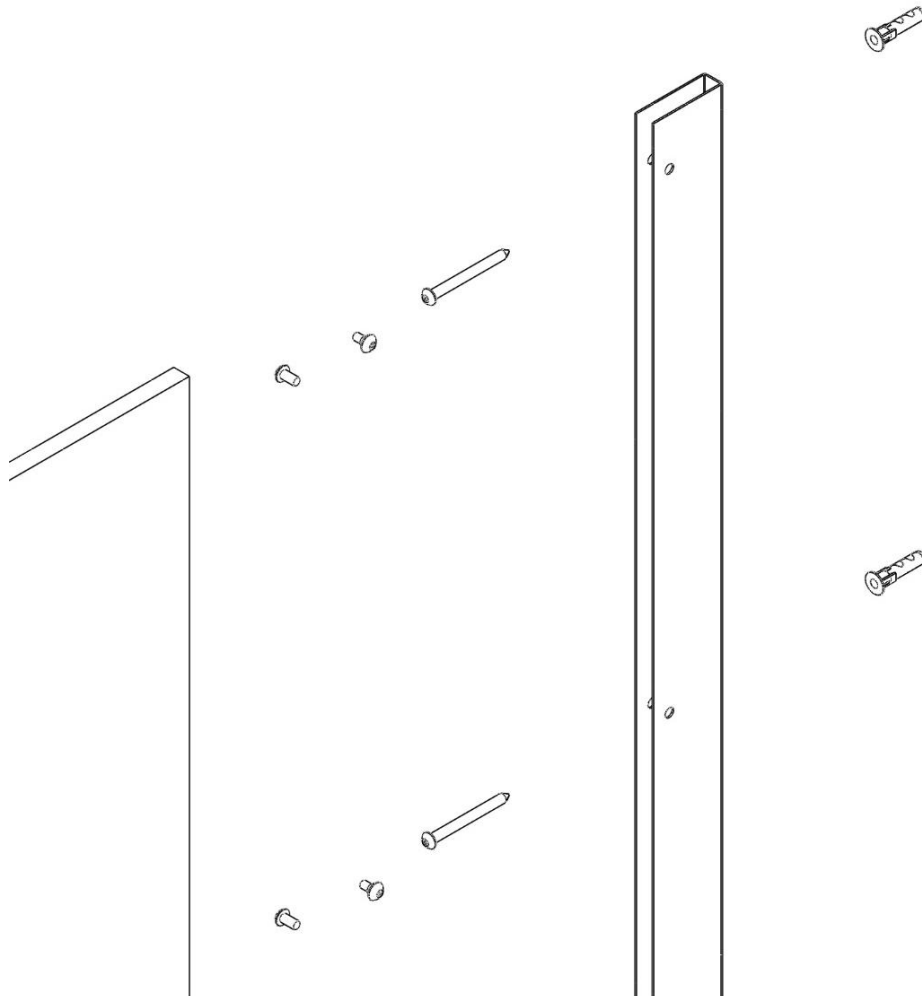
**PILASTER/WALL**

**ASSEMBLY**

- A. Verify that the pilasters are both plumb and level before continuing.
- B. Fasten pilaster to wall bracket using through-bolts.

**HARDWARE LIST**

PICTURE	DESCRIPTION	QTY
	#12 x 2.5" WALL SCREW	6
	RED PLASTIC SHIELD	6
	"U" BRACKET	1
	#10-24 x 3/8" NUT	6
	#10-24 x 1/2" BOLT	6









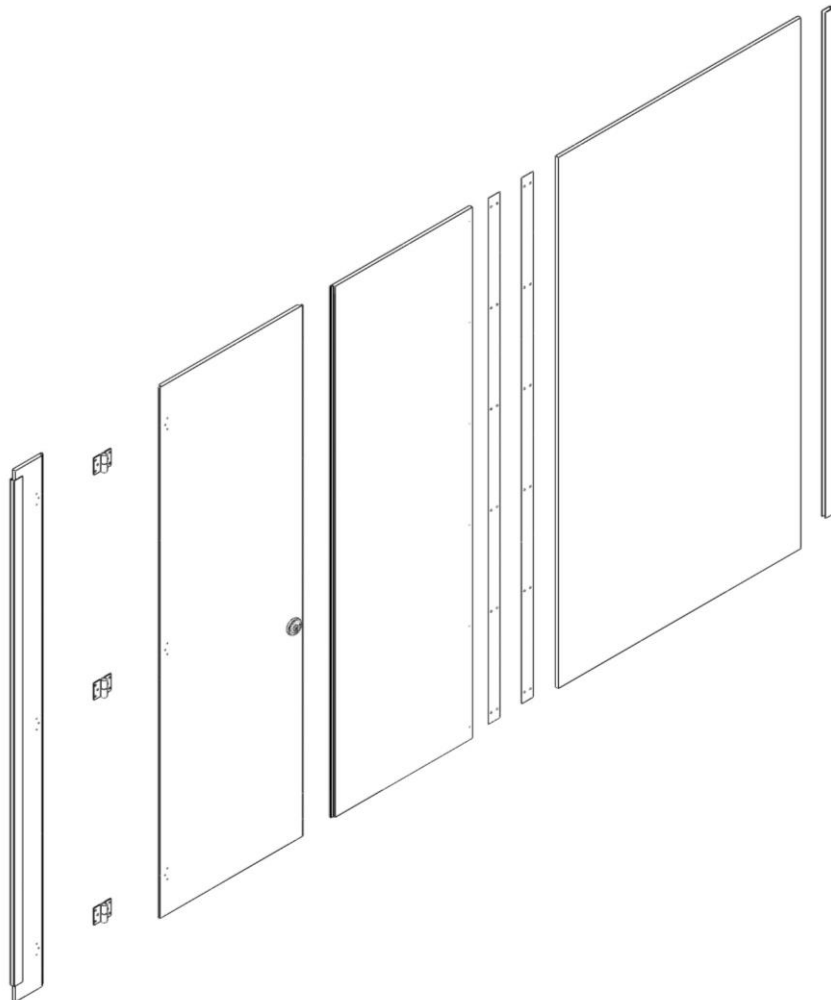
**PILASTER/ PANEL ALCOVE**

**ASSEMBLY**

Note: For door details, see pages 8 and 9.

**HARDWARE LIST**

PICTURE	DESCRIPTION	QTY
	ALCOVE BRACKET	2
	#10-24 x 3/8" NUT	24
	#10-24 x 1/2" BOLT	24
	#12 x 2.5" WALL SCREW	12
	RED PLASTIC SHIELD	12
	"U" BRACKET	2



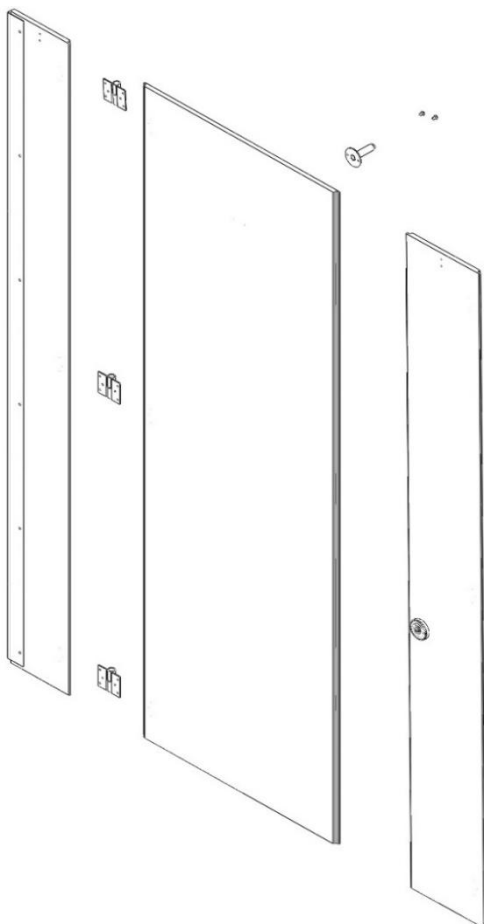


## DOOR HARDWARE

### ASSEMBLY - INSWING

- A. Doors with a width of at least 32" require 4 hinges.
- B. Cams are preset at an angle of 0°. Adjust this angle as desired.
- C. The bottom hinge is not cammed.
- D. The holes for the coat hook should be drilled to a depth of 7/16" with a #19 drill bit.

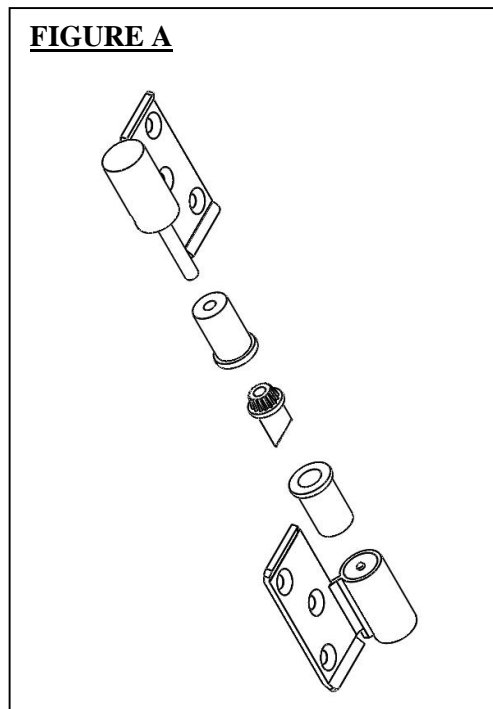
Note: please see page 12 for latch installation details.



### HARDWARE LIST

PICTURE	DESCRIPTION	QTY
	HINGE ASSEMBLY WITH COVER PLATE (CAMMED)	2
	HINGE ASSEMBLY WITH COVER PLATE (NOT CAMMED)	1
	#10 x 7/16" HINGE SCREWS	18
	COAT HOOK WITH TWO SCREWS	1

**FIGURE A**



## DOOR HARDWARE

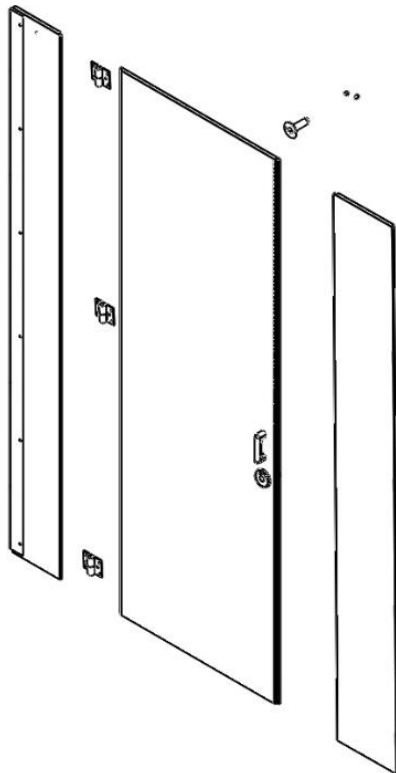
### ASSEMBLY - OUTSWING

- A. Doors with a width of at least 32" require 4 hinges.
- B. Cams are preset at an angle of 0°. Adjust this angle as desired.
- C. Install additional door bumper on the outside of the door as required.
- D. The bottom hinge is not cammed.
- E. **Install door handle with both spacers on the inside of the compartment.**
- F. The holes for the coat hook should be drilled to a depth of 7/16" with a #19 drill bit.

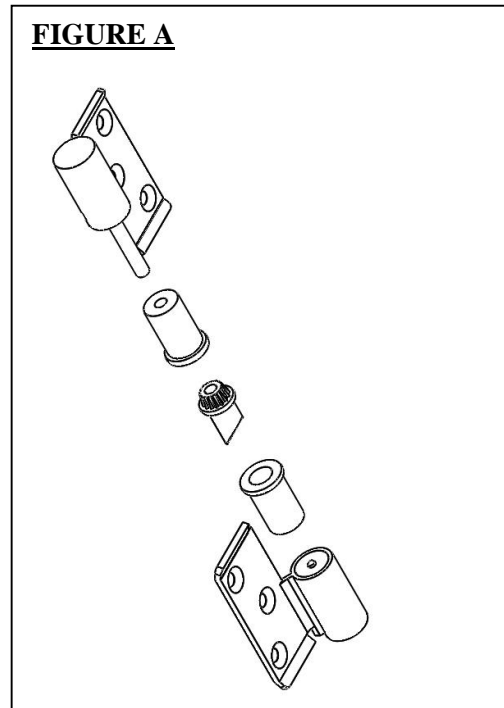
### HARDWARE LIST

PICTURE	DESCRIPTION	QTY
	HINGE ASSEMBLY WITH COVER PLATE (CAMMED)	2
	HINGE ASSEMBLY WITH COVER PLATE (NOT CAMMED)	1
	#10 x 0.4375" HINGE SCREWS	18
	COAT HOOK WITH TWO SCREWS	1
	DOOR HANDLE WITH TWO SPACERS	1

Note: please see page 12 for latch installation details.



**FIGURE A**

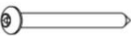

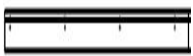




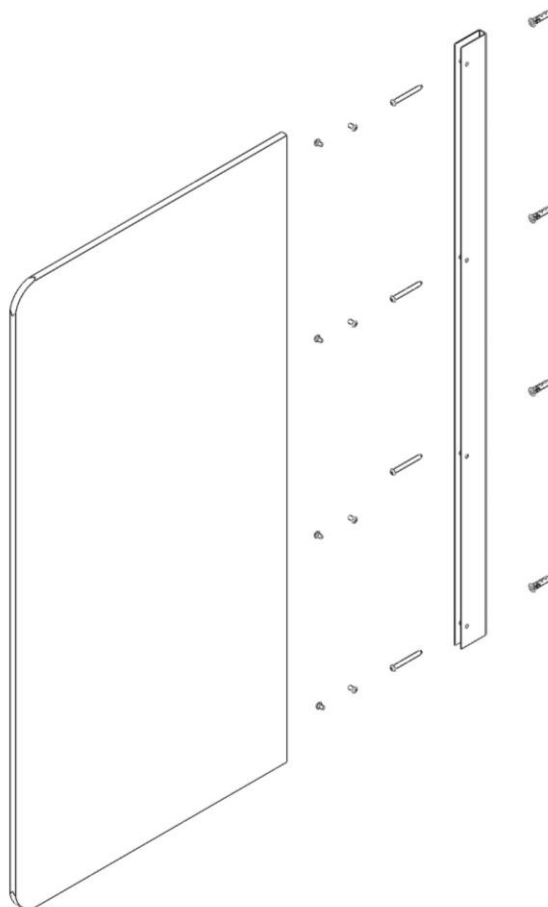
## URINAL SCREEN

### ASSEMBLY

- A. Before proceeding, confirm that the backing of the wall is adequate to support the mounting of urinal screens. Check shop drawings for layout.
- B. Insert plastic shields into the walls and secure wall brackets with 2.5" wall screws.
- C. Place urinal screen on a support device at desired height.
- D. Drill holes through the urinal screen to facilitate through-bolts. Set the urinal screen into wall brackets and fasten.


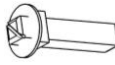





### HARDWARE LIST

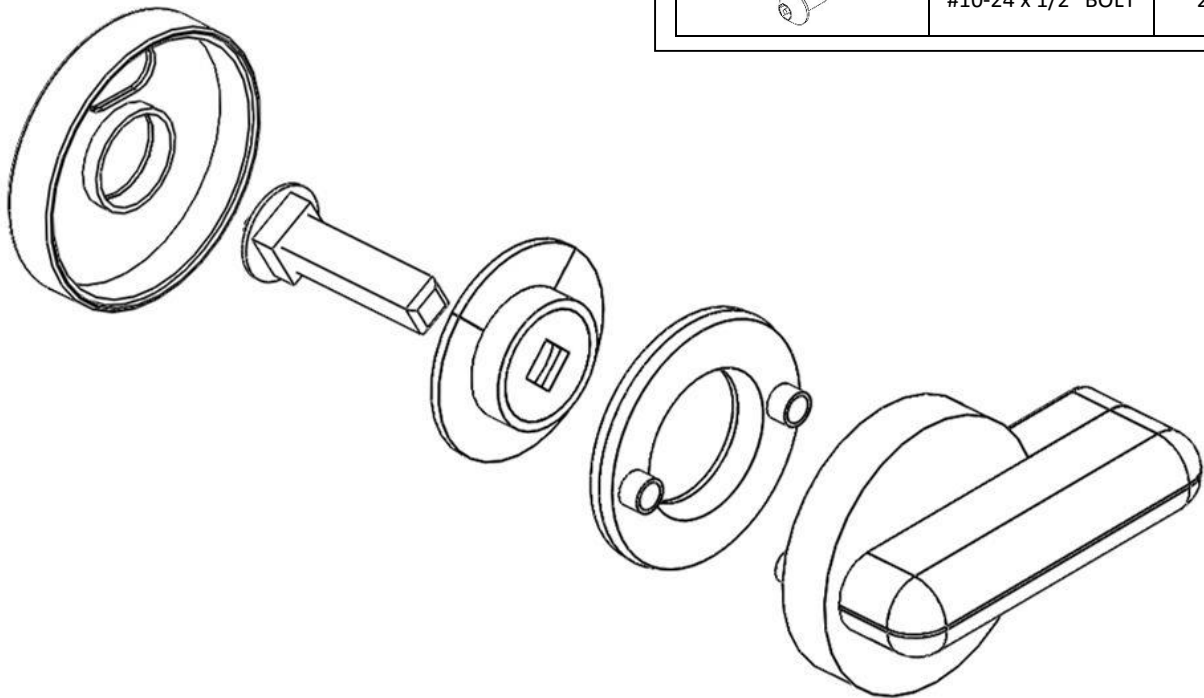
PICTURE	DESCRIPTION	QTY
	#12 x 2.5" WALL SCREW	4
	RED PLASTIC SHIELD	4
	U/S "U" BRACKET	1
	#10-24 x 3/8" NUT	4
	#10-24 x 1/2" BOLT	4



**LATCH**  
**ASSEMBLY**

**HARDWARE LIST**

PICTURE	DESCRIPTION	QTY
	INDICATOR COVER WITH INSERT	1
	CENTER SHAFT	1
	INDICATOR DIAL	1
	INDICATOR DIAL PLACEMENT SLEEVE	1
	LATCH HANDLE	1
	#10-24 x 3/8" NUT	2
	#10-24 x 1/2" BOLT	2



**CARE AND MAINTENANCE OF**  
**BATHROOM PARTITIONS**

In order to provide bathroom partitions with proper care and maintenance, the following instructions must be followed:

- A. All surfaces must be kept clean with water and a mild soap solution only.
- B. In areas of high humidity, the rooms must be properly ventilated.
- C. “Hosing down” or wet-washing of these units may cause water adsorption and damage.
- D. For maximum protection, periodic application of any standard furniture wax will be beneficial.

**WARNING**

Under no circumstances should these components be subjected to:

- Abrasive powders or pads
- Bathroom cleaners
- Ceramic tile cleaners
- Solutions containing more than 1% by volume of ammonia
- Solutions containing acids or lye
- Solutions containing enzymes

Attention to work progress during new construction or renovation is paramount.

Some cleaning services may use agents for ceramics and tiles that will damage these components.