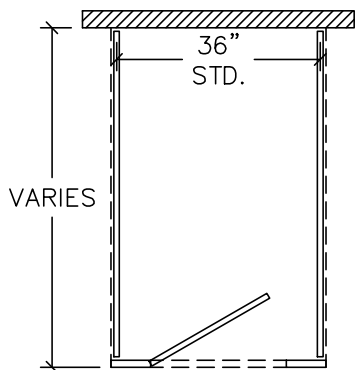
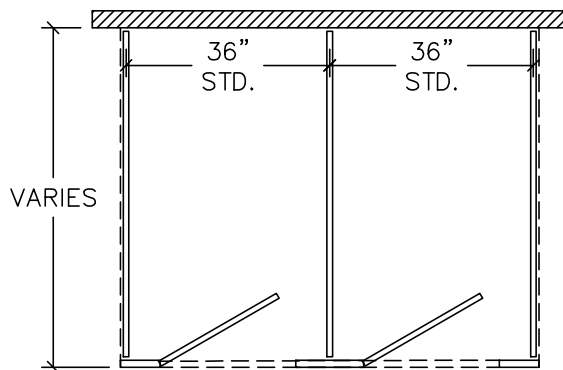


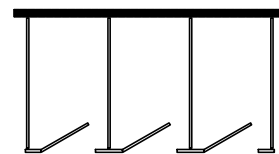
POWDER COATED STEEL
TYPICAL FREE STANDING
LAYOUTS
2.2



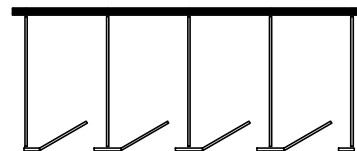
FS - 1
STANDARD
CONFIGURATION



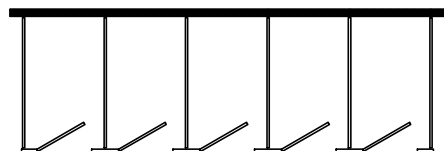
FS - 2
STANDARD
CONFIGURATION



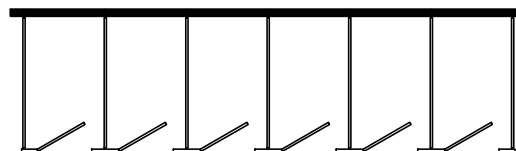
FS-3



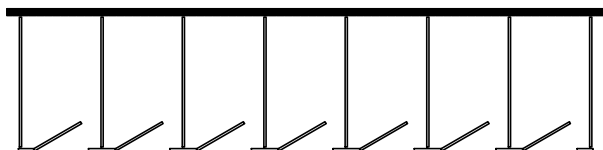
FS-4



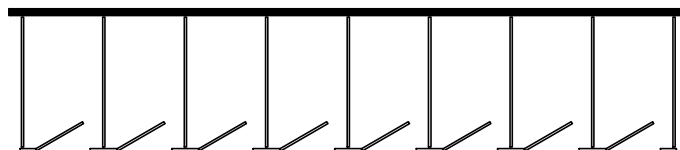
FS-5



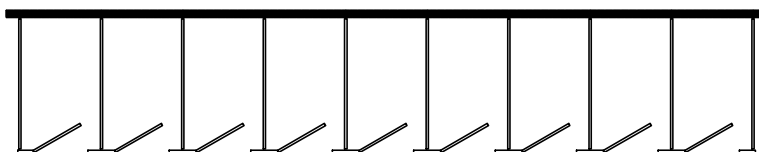
FS-6



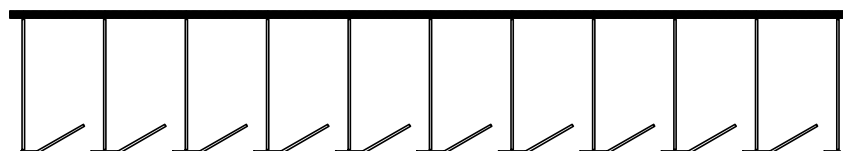
FS-7



FS-8



FS-9



FS-10

REV 12/13