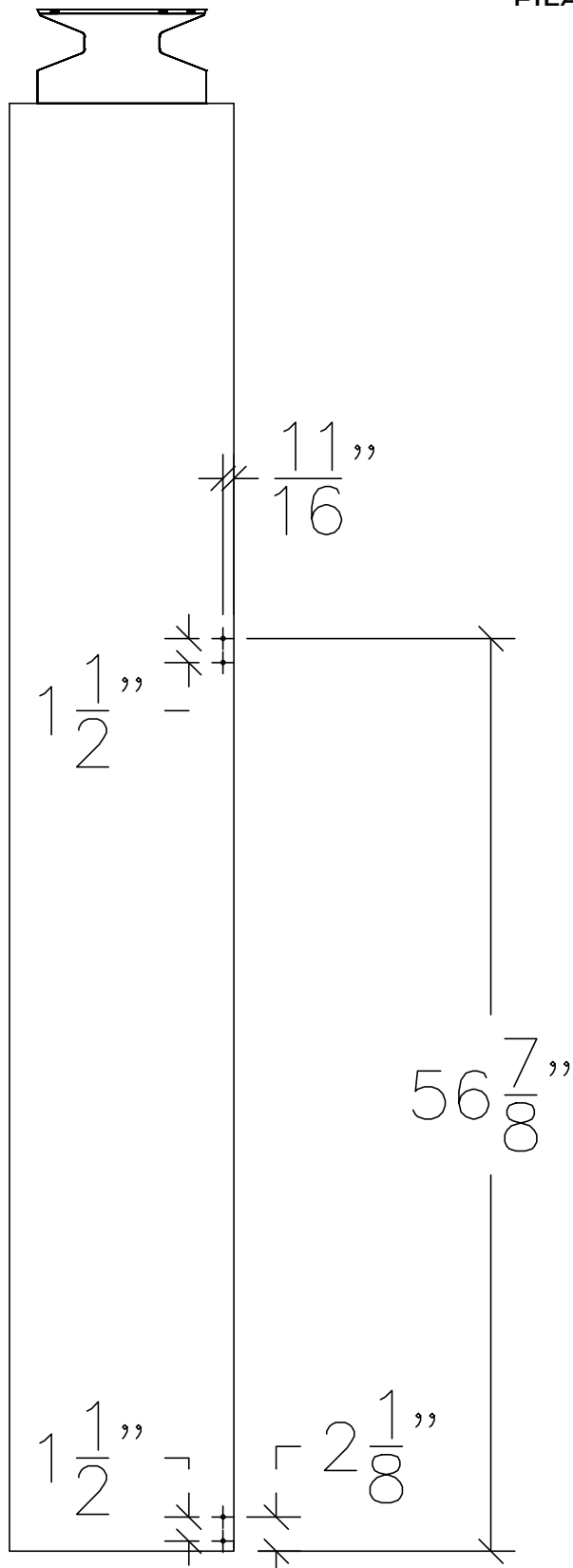


STAINLESS STEEL  
CEILING HUNG  
PILASTER DRILLING DETAIL  
3.11a



ALL HOLES SHOULD  
BE DRILLED WITH "F"  
OR 9/32" DRILL BIT

REV 12/13