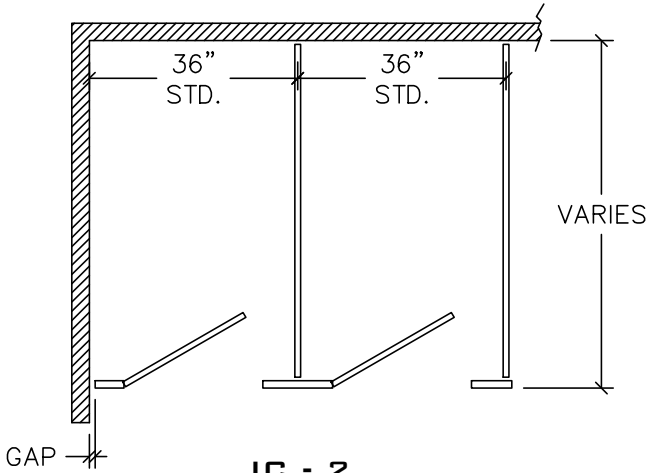
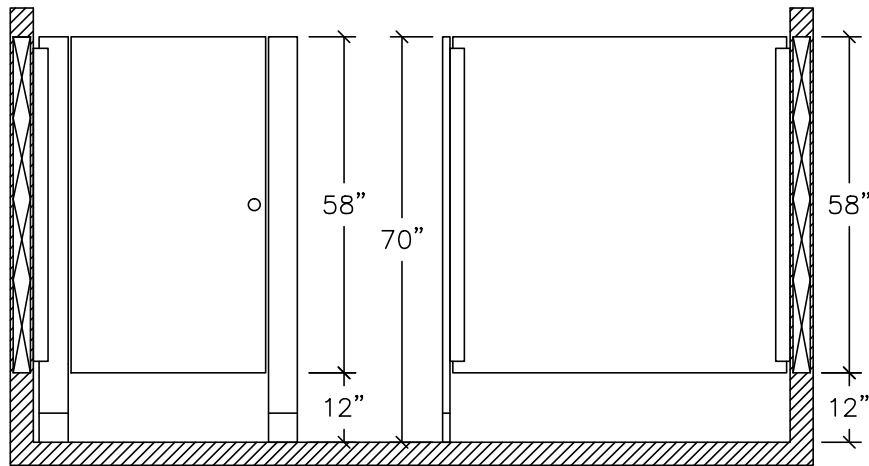
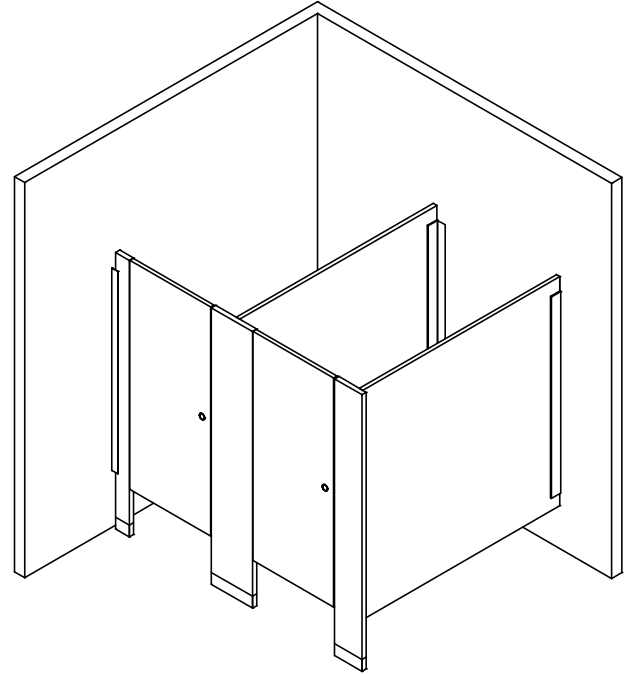


STAINLESS STEEL  
FLOOR ANCHORED  
3.7A



IC - 2  
STANDARD  
CONFIGURATION



FRONT & SIDE ELEVATION

⊠ BLOCKING IN WALL BY OTHERS

REV 12/13