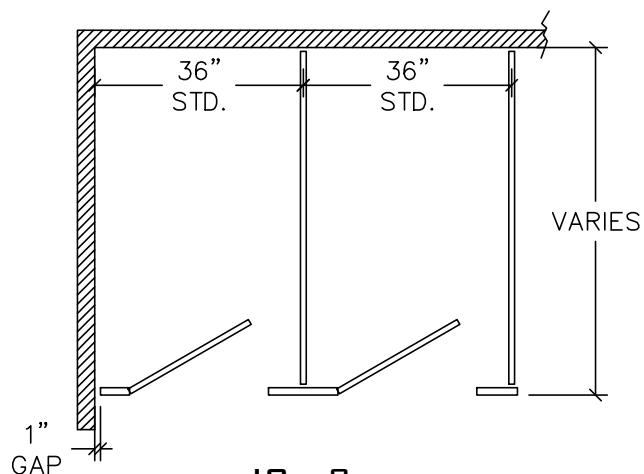
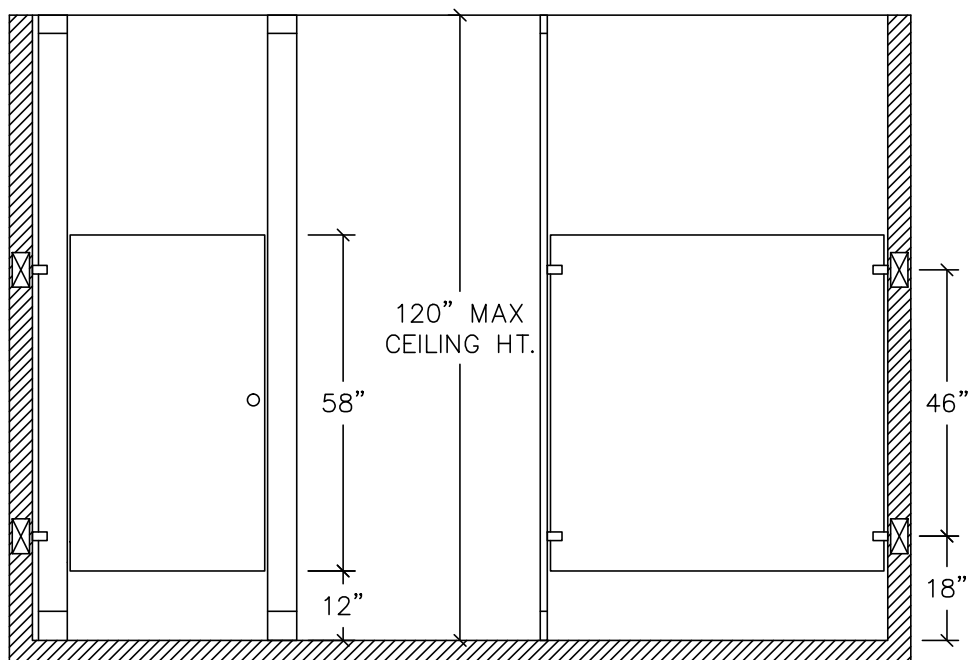
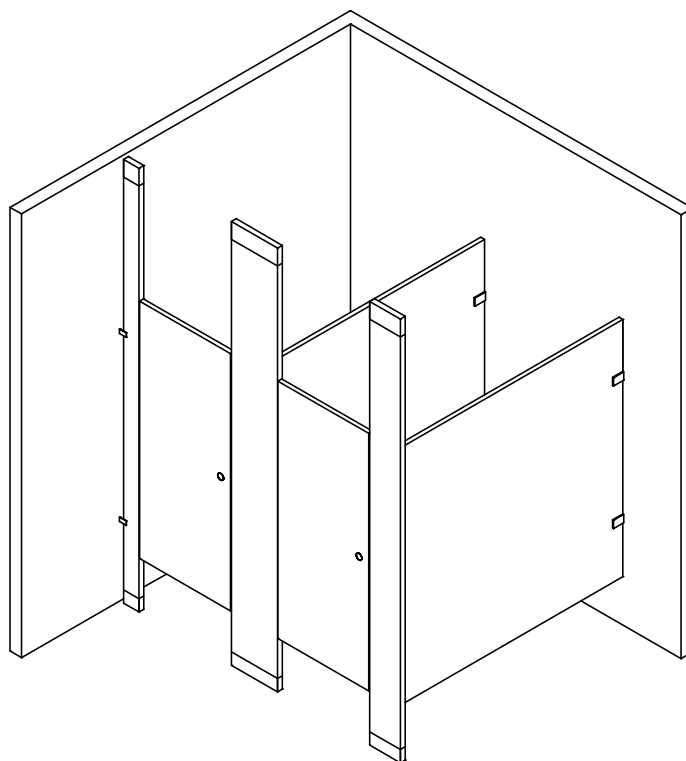


PLASTIC LAMINATE
FLOOR-TO-CEILING ANCHORED
5.13



IC - 2
STANDARD
CONFIGURATION



FRONT & SIDE ELEVATION

 BLOCKING IN WALL BY OTHERS

REV 12/13