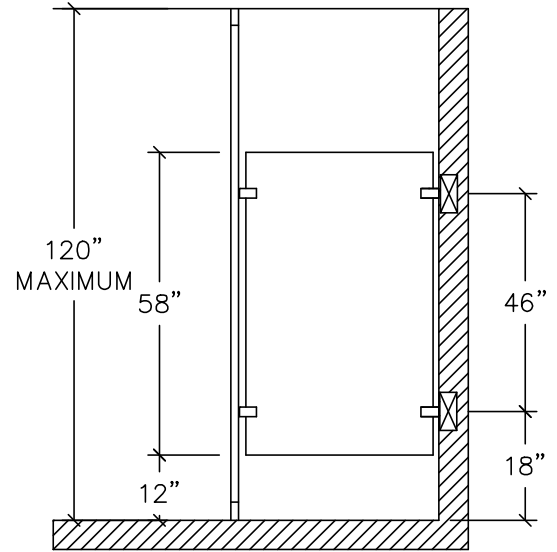
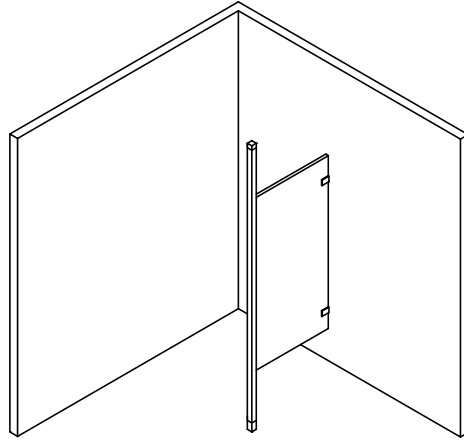
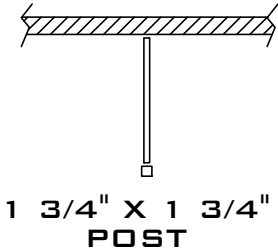


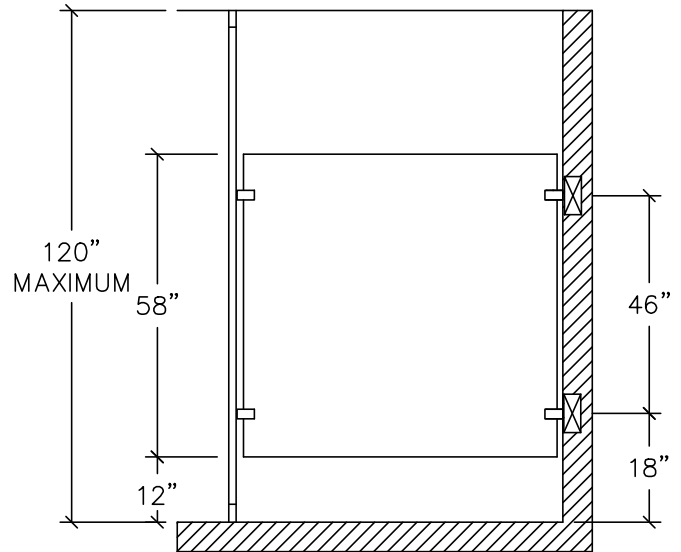
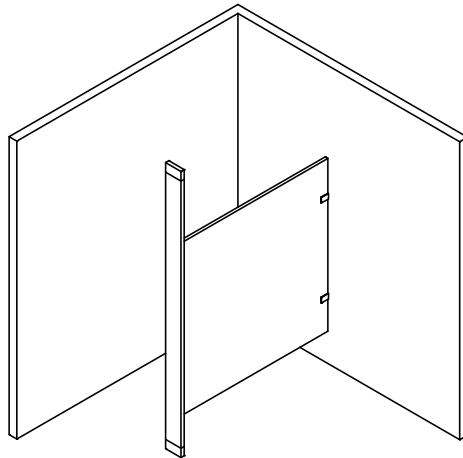
**PLASTIC LAMINATE  
URINAL AND SIGHT SCREENS  
5.18**

**FLOOR TO CEILING SCREENS  
WITH ALUMINUM 1 3/4" X 1 3/4" POST**



**SIDE ELEVATION**

**FLOOR TO CEILING SCREENS  
WITH PLASTIC LAMINATE PILASTER**



**SIDE ELEVATION**

**SIGHT SCREENS ABOVE ARE 58" HIGH BY DEPTH REQUIRED  
AVAILABLE WITH CHROME PLATED ZAMAG, STAINLESS STEEL  
STIRRUP BRACKETS,  
CONTINUOUS ALUMINUM OR STAINLESS STEEL BRACKETS**

**BLOCKING IN WALL BY OTHERS**

REV 12/13